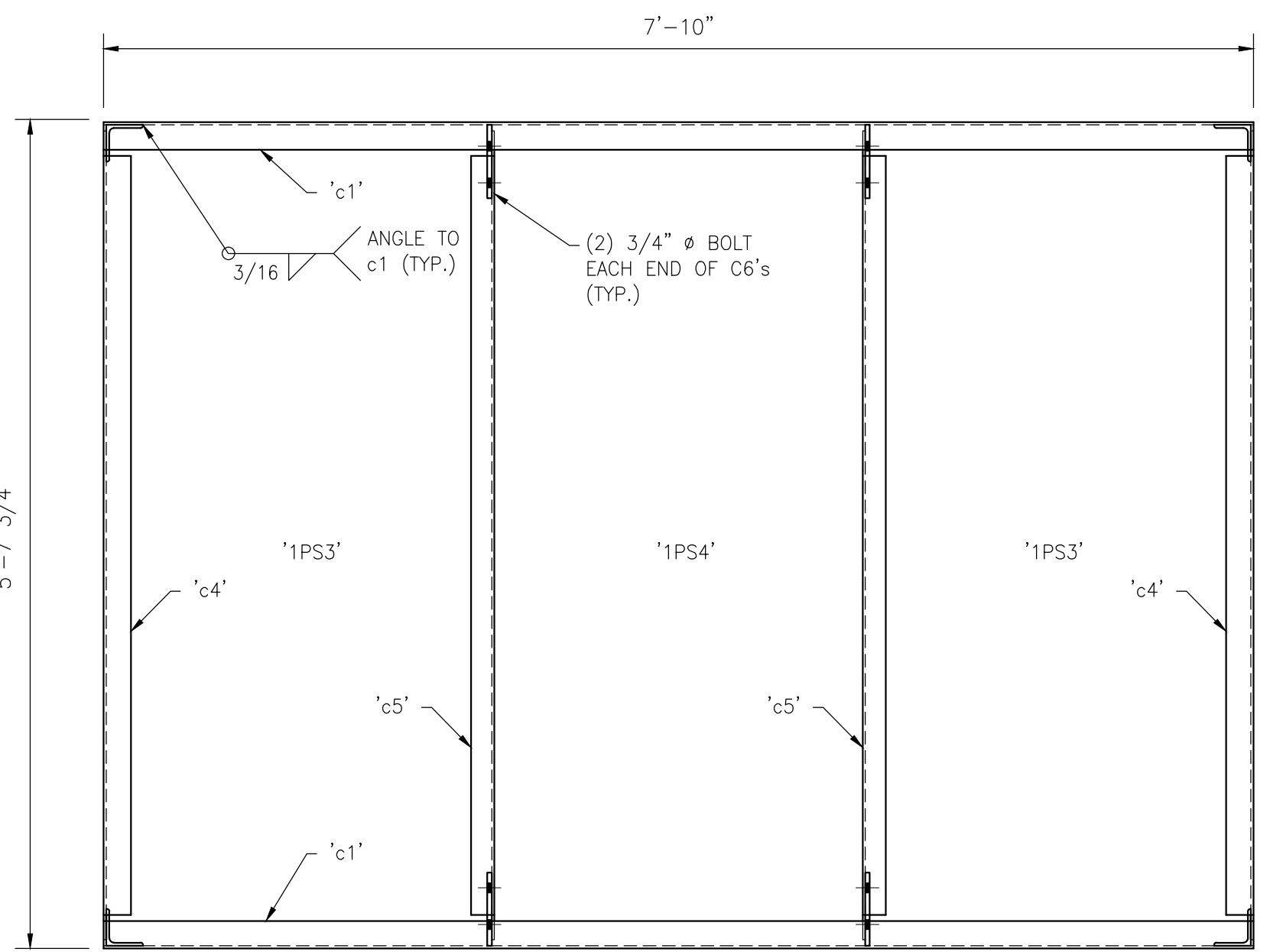
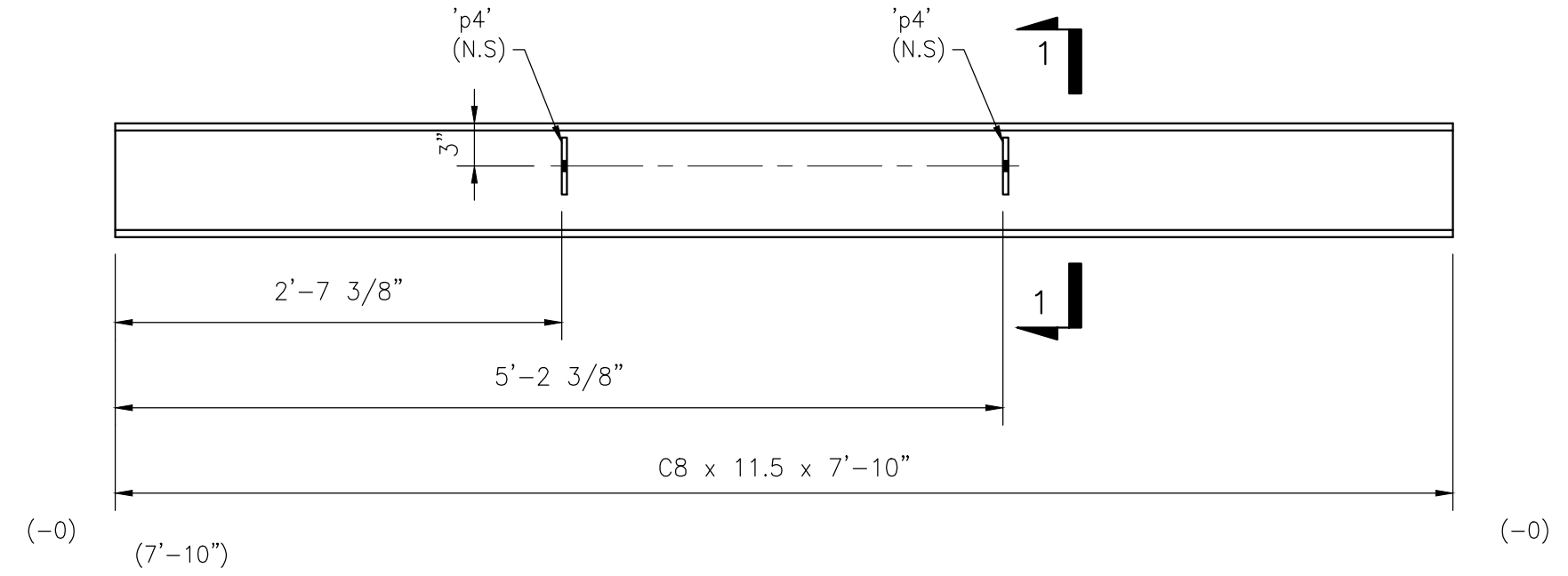


'1LA1' - LANDING ASSEMBLY - ONE REQUIRED
SCALE: 1"=1'-0"

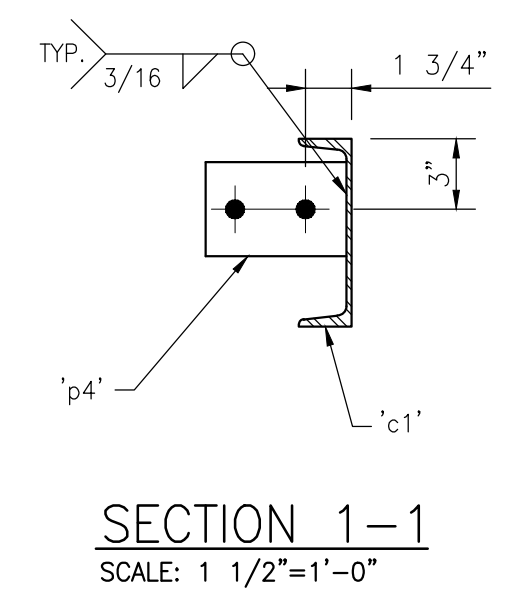


'1LA2' - LANDING ASSEMBLY - ONE REQUIRED
SCALE: 1"=1'-0"

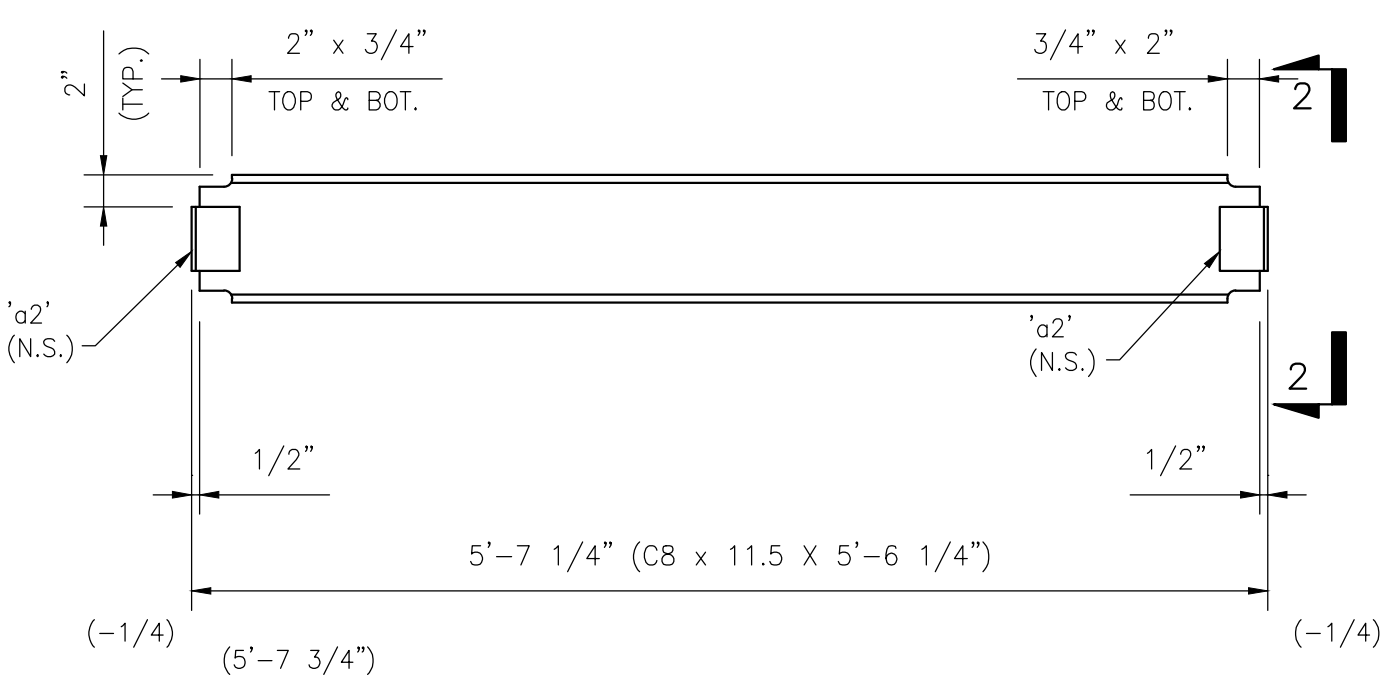
BILL OF MATERIAL				
MATERIAL LISTED FOR ONE UNIT OR ASSEMBLY				
PART NO.	NO. REQ.	DESCRIPTION	MAT'L.	REMARKS
1LA1 - LANDING ASSEMBLY - ONE REQUIRED				
c1	2	C8 x 11.5 x 7'-10"	A36	SEE DETAIL THIS DWG.
p4	4	PL 3/8" x 4" x 0'-6"	A36	SEE DETAIL THIS DWG.
c2	2	C8 x 11.5 x 5'-2 1/2"	A36	SEE DETAIL THIS DWG.
a2	4	L 3 x 3 x 3/8 x 0'-4"	A36	PLAIN
c3	2	C6 x 8.2 x 5'-3"	A36	SEE DETAIL THIS DWG.
1PS1	2	PLATE 12 GA. x 34" x 5'-4" (SHIP LOOSE)	A36	PLAIN
1PS2	ONE	PLATE 12 GA. x 32" x 5'-4" (SHIP LOOSE)	A36	PLAIN
1A1	7	L4 x 4 x 3/8 x 0'-6" (SHIP LOOSE)	A36	SEE DETAIL THIS DWG.
1LA2 - LANDING ASSEMBLY - ONE REQUIRED				
c1	2	C8 x 11.5 x 7'-10"	A36	SEE DETAIL THIS DWG.
p4	4	PL 3/8" x 4" x 0'-6"	A36	SEE DETAIL THIS DWG.
c4	2	C8 x 11.5 x 5'-6 1/4"	A36	SEE DETAIL THIS DWG.
a2	4	L 3 x 3 x 3/8 x 0'-4"	A36	PLAIN
c5	2	C6 x 8.2 x 5'-6 3/4"	A36	SEE DETAIL THIS DWG.
1PS3	2	PLATE 12 GA. x 34" x 5'-7 3/4" (SHIP LOOSE)	A36	PLAIN
1PS4	ONE	PLATE 12 GA. x 32" x 5'-7 3/4" (SHIP LOOSE)	A36	PLAIN
1A1	7	L4 x 4 x 3/8 x 0'-6" (SHIP LOOSE)	A36	SEE DETAIL THIS DWG.



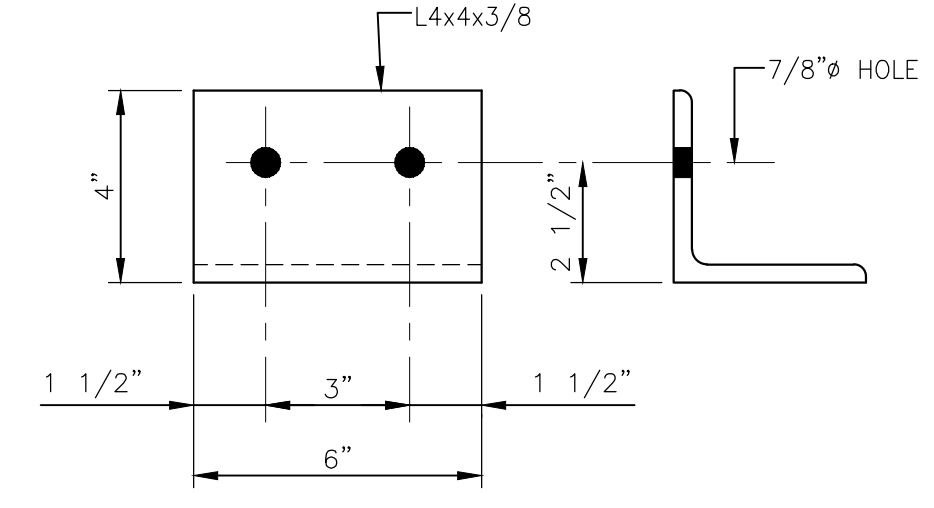
DETAIL OF 'c1'
SCALE: 1"=1'-0"



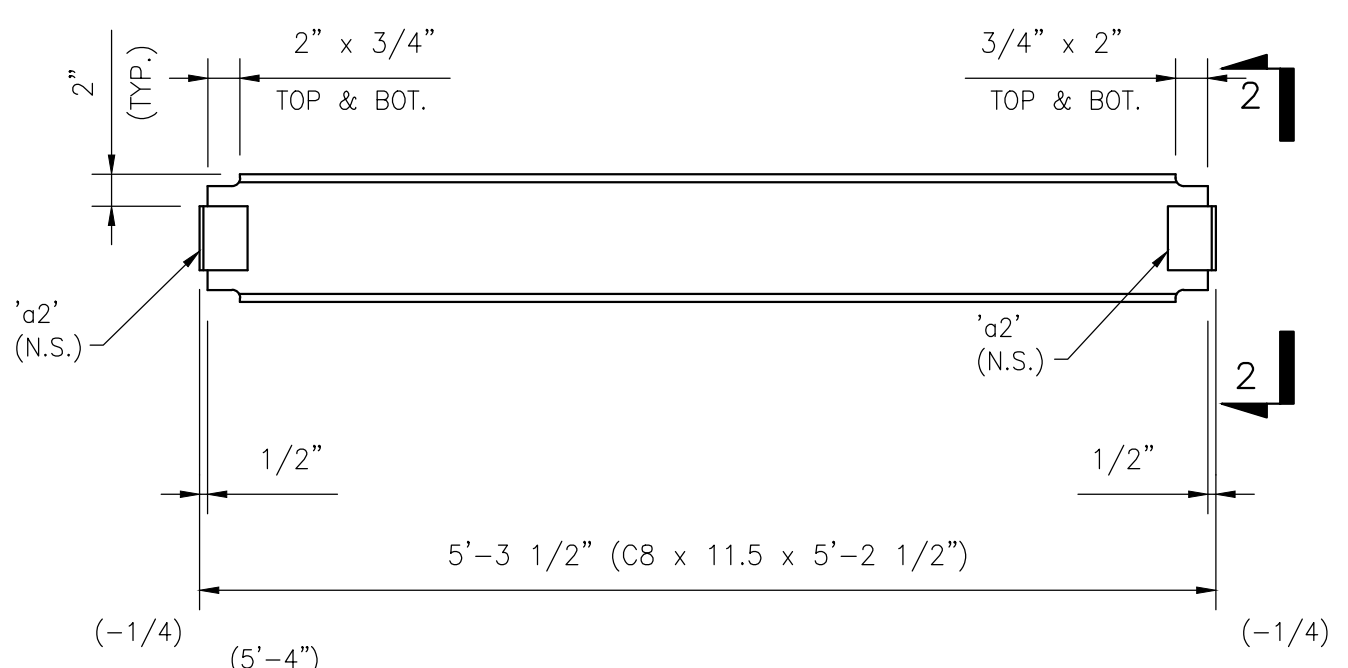
SECTION 1-1
SCALE: 1 1/2"=1'-0"



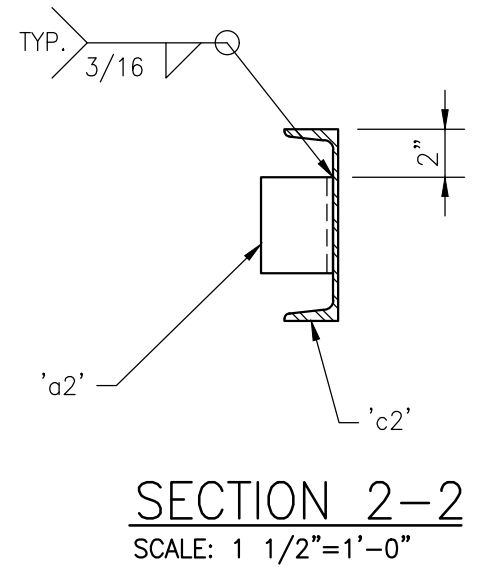
DETAIL OF 'c4'
SCALE: 1"=1'-0"



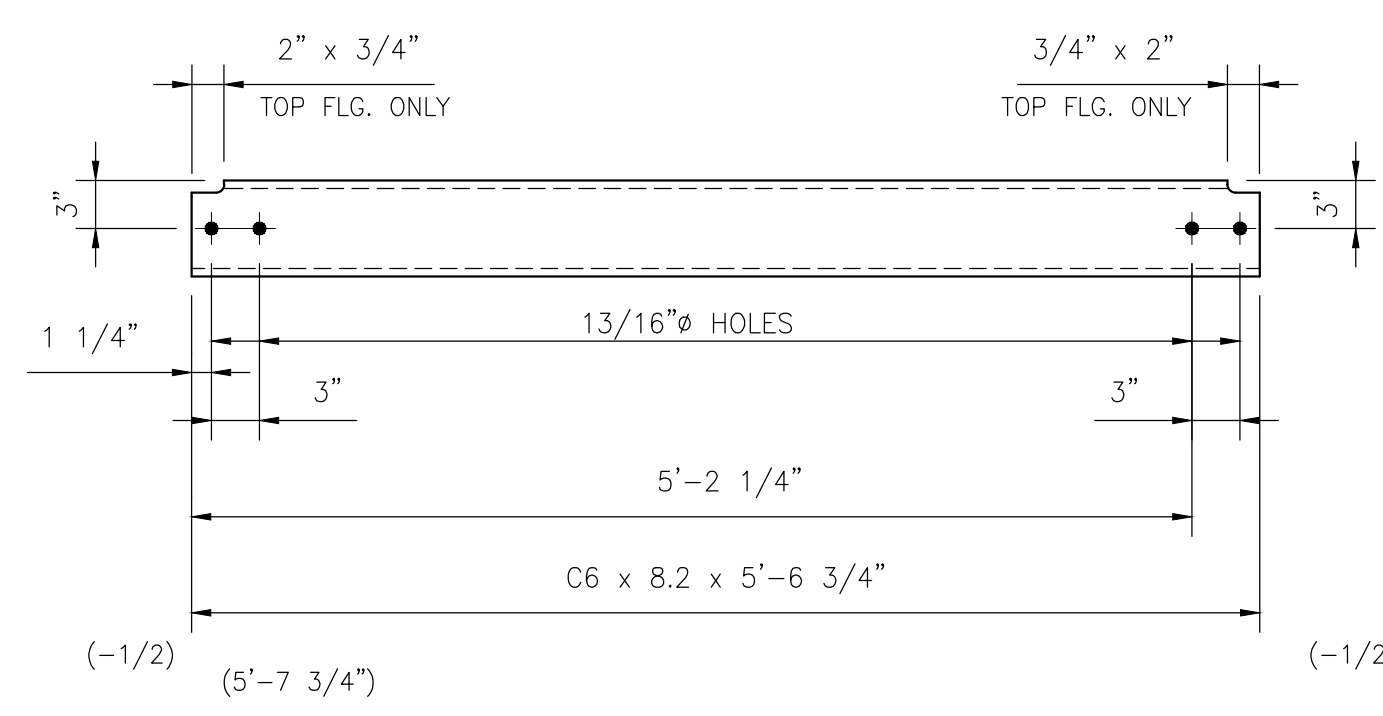
DETAIL OF '1A1'
SCALE: 3"=1'-0"



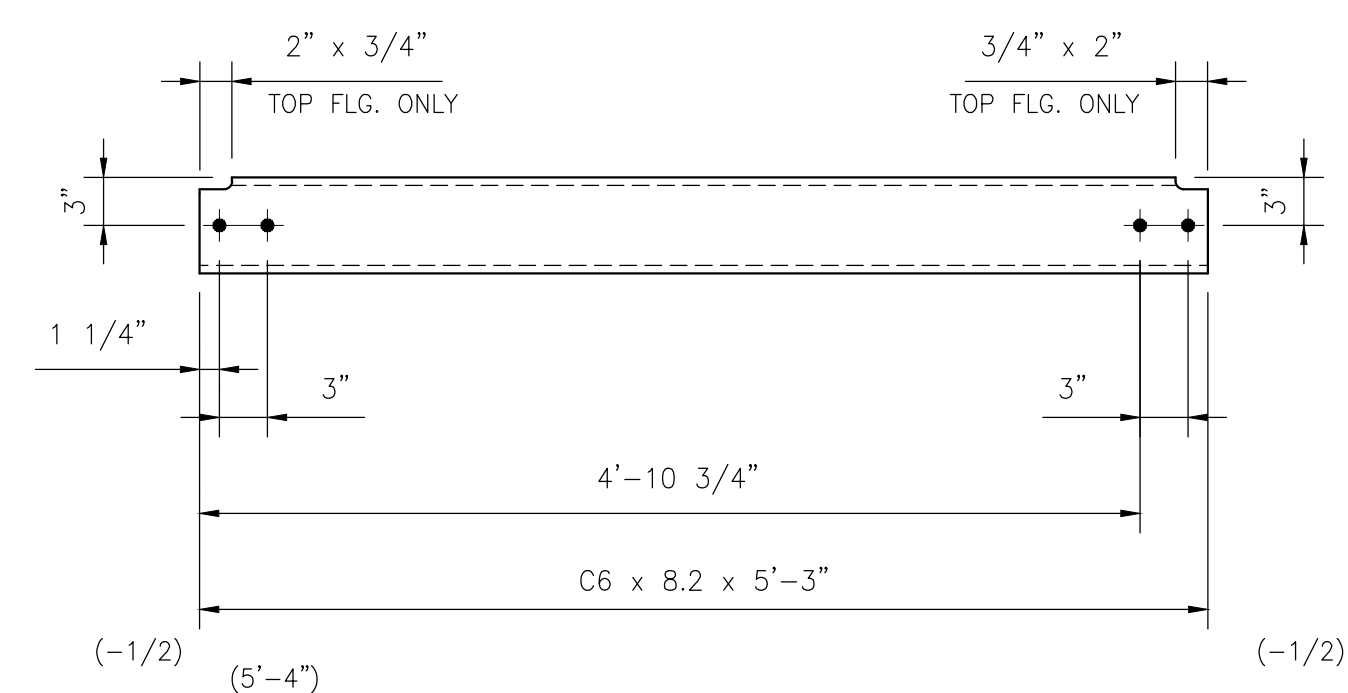
DETAIL OF 'c2'
SCALE: 1"=1'-0"



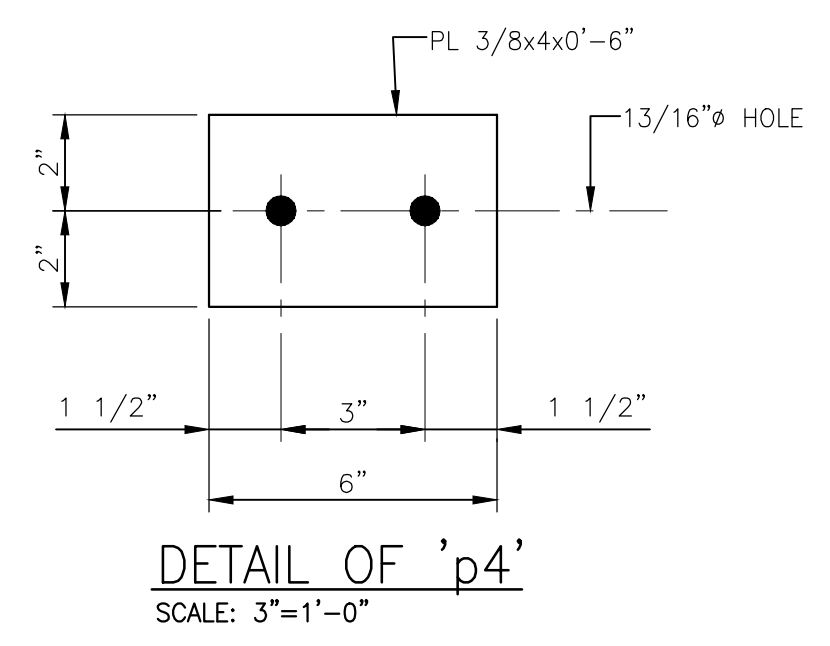
SECTION 2-2
SCALE: 1 1/2"=1'-0"



DETAIL OF 'c5'
SCALE: 1"=1'-0"



DETAIL OF 'c3'
SCALE: 1"=1'-0"



DETAIL OF 'p4'
SCALE: 3"=1'-0"

NOTE:
ALL MATERIAL SHOWN ON THIS DRAWING SHALL RECEIVE ONE COAT OF STANDARD SHOP PRIMER U.N.O.

STAIR A			
FABRICATION DETAILS			
DRAWN BY: KSB	PROJECT NUMBER	21-175	
CHECKED BY: JA	ISSUED BY	PD-1	
SCALE: AS NOTED			

0	4/27/2022	ISSUE FOR FABRICATION	TS
NO.	DATE	REVISION DESCRIPTION	ISSUED BY