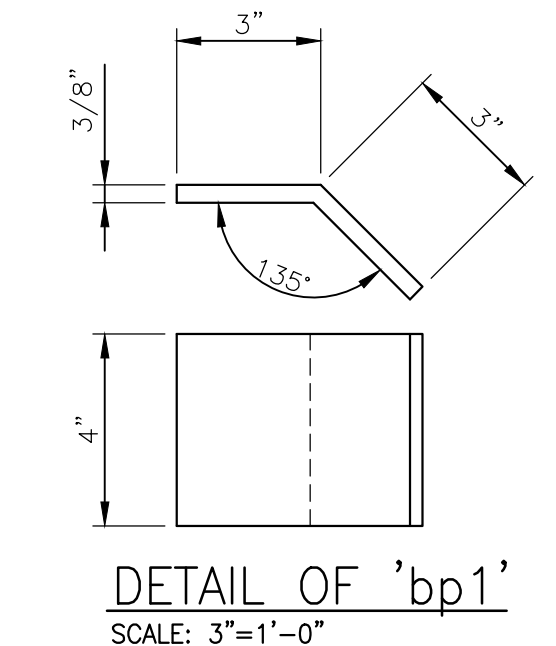
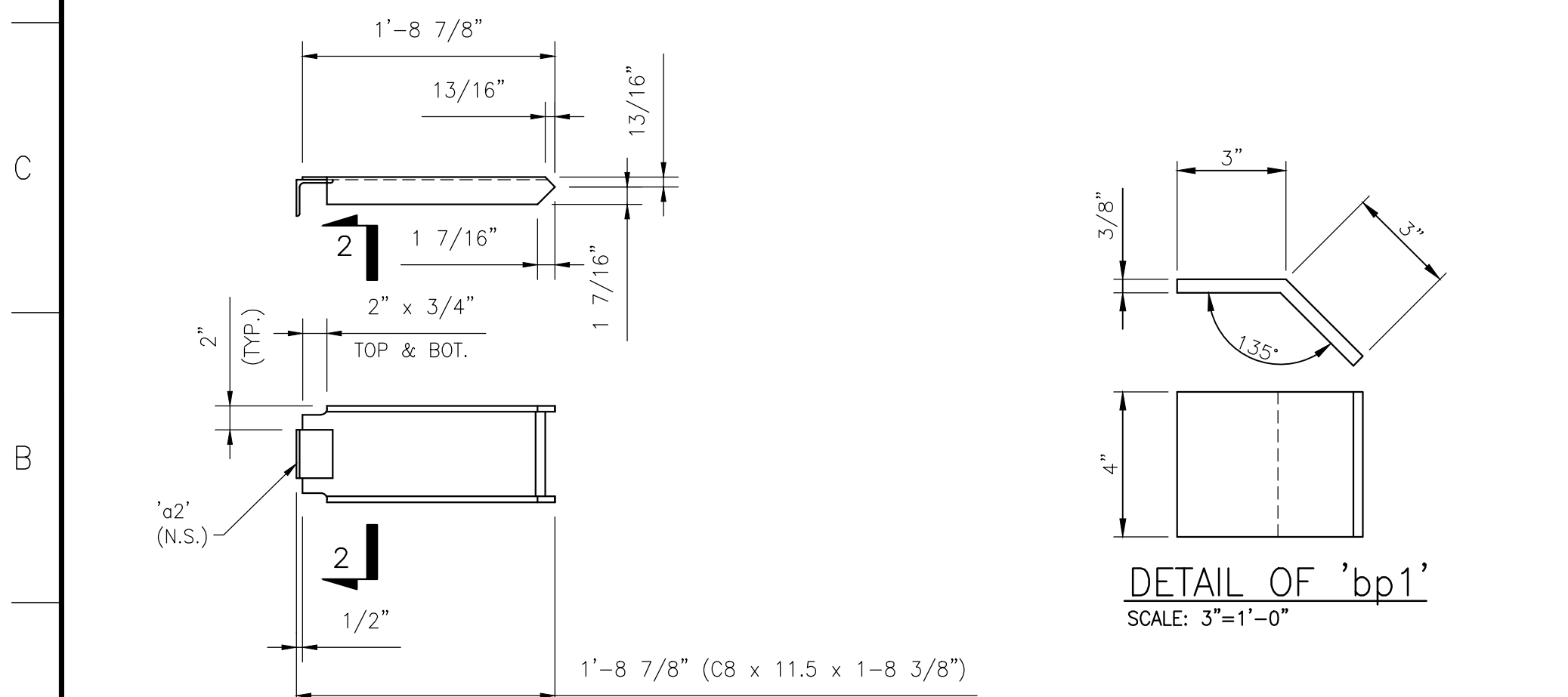
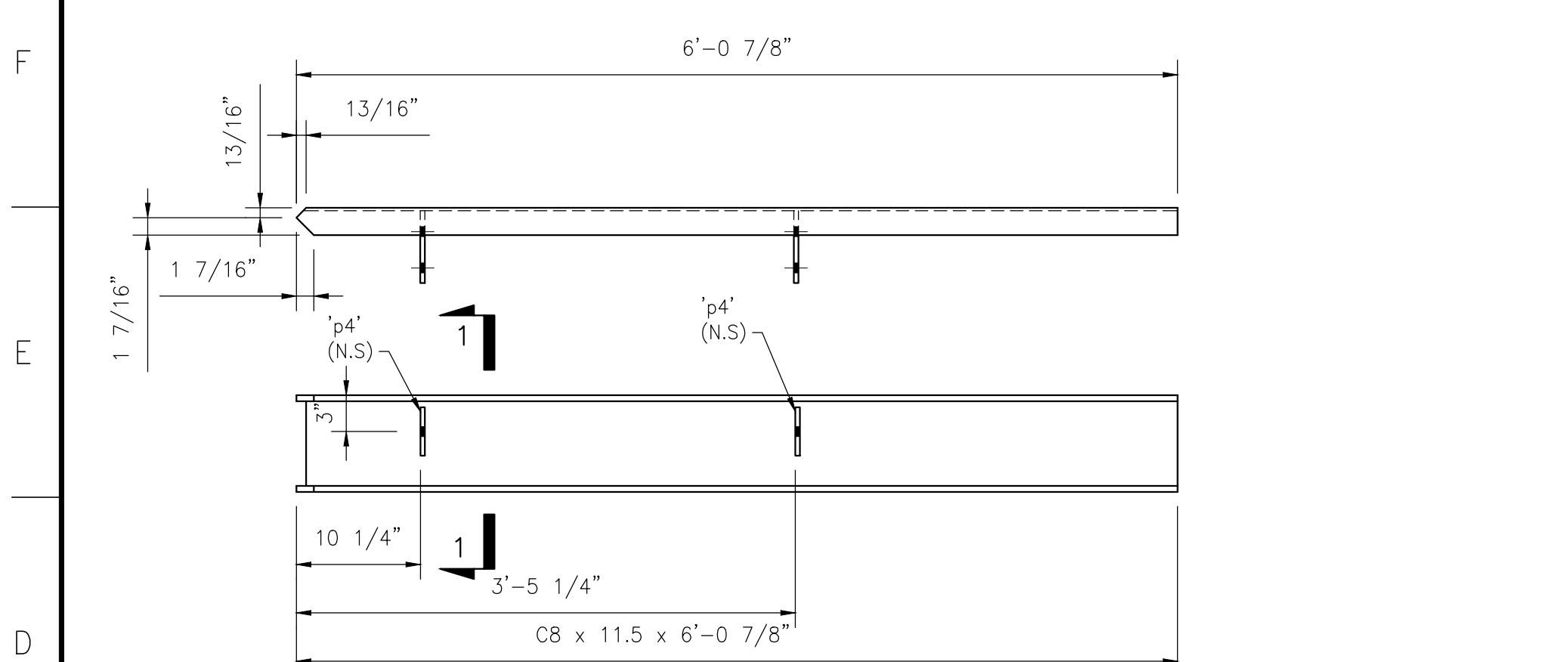
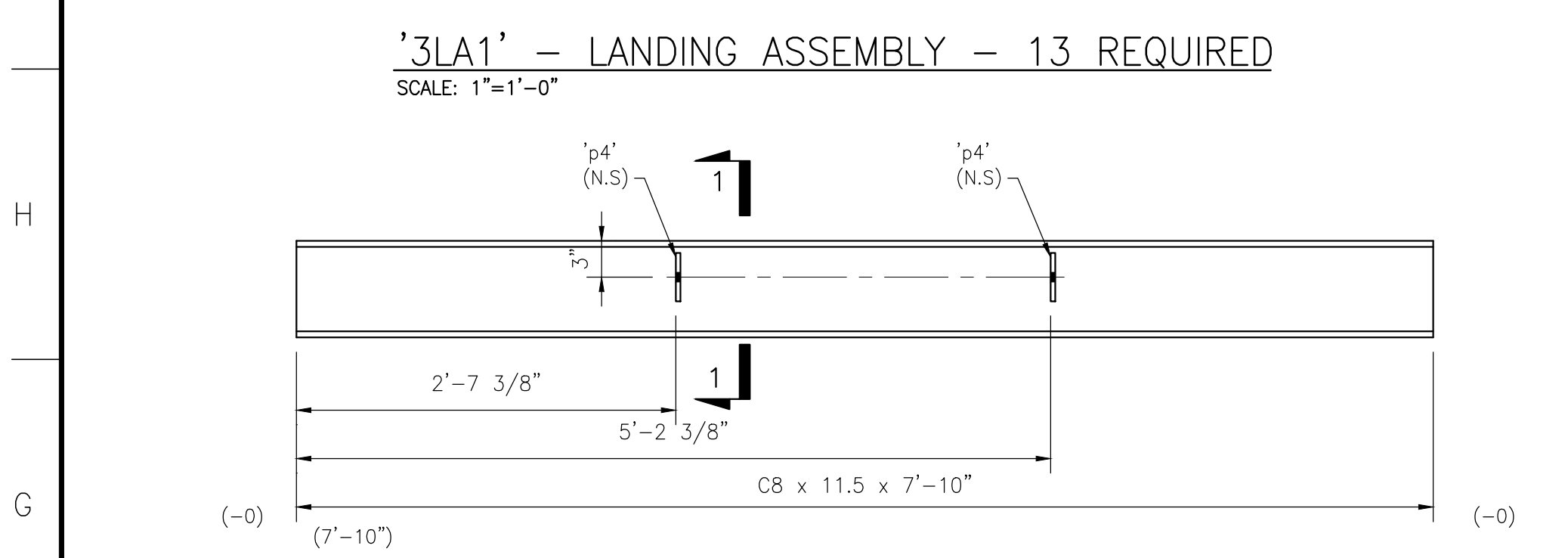
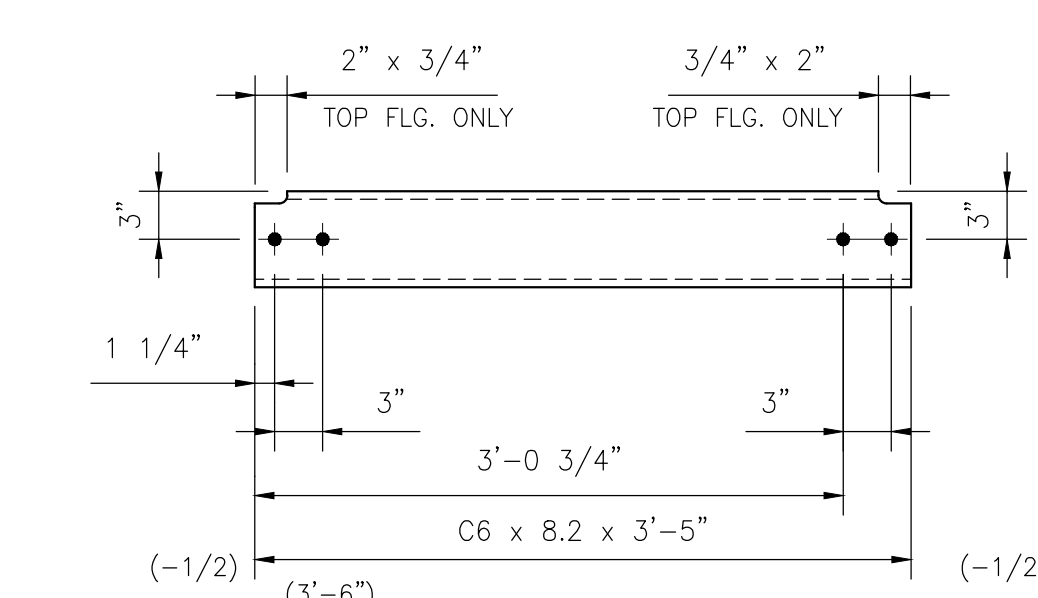
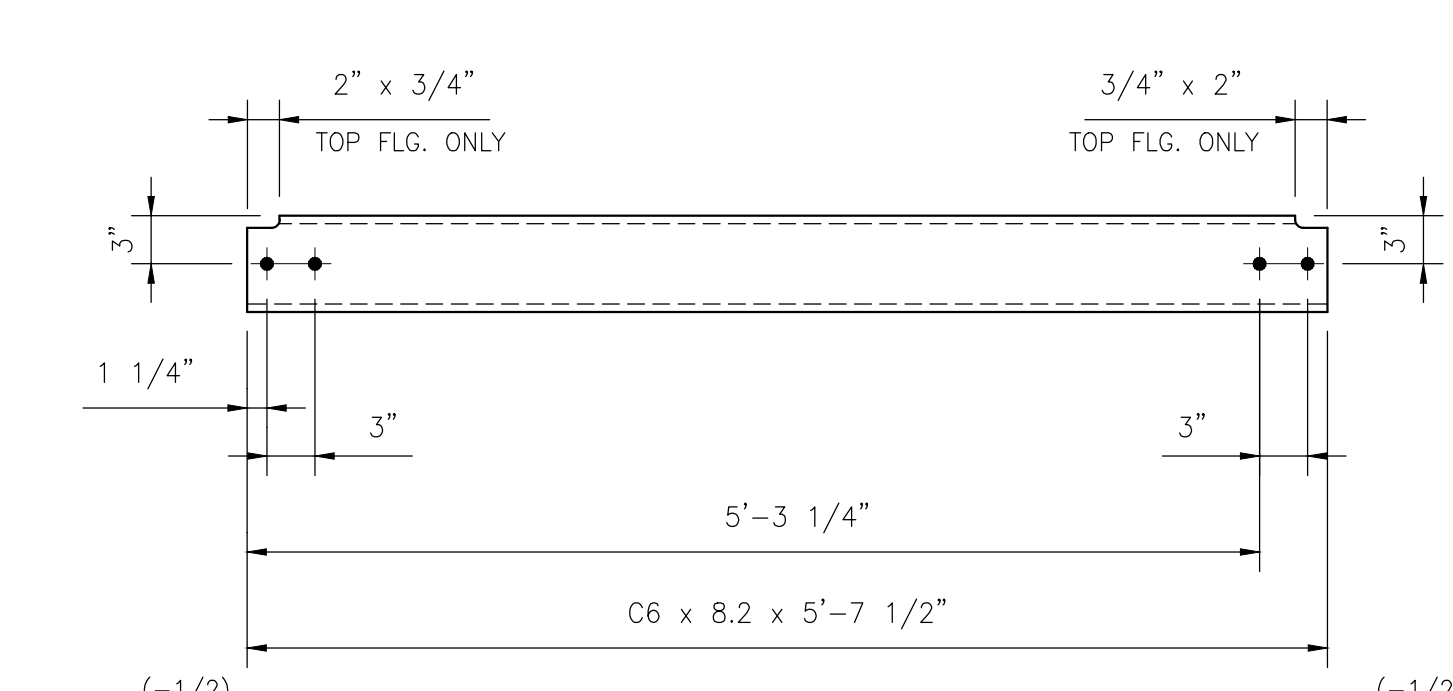
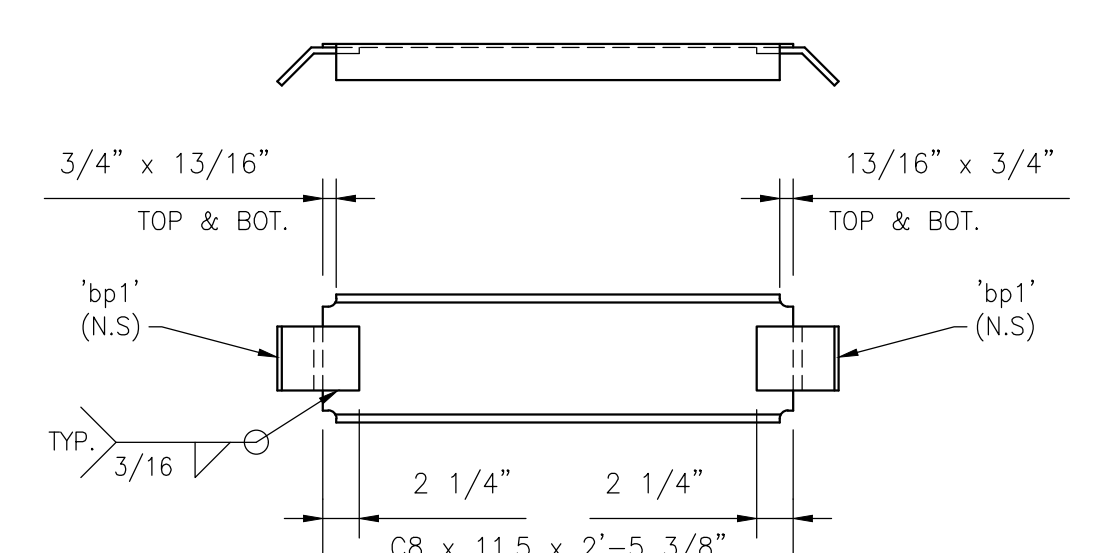
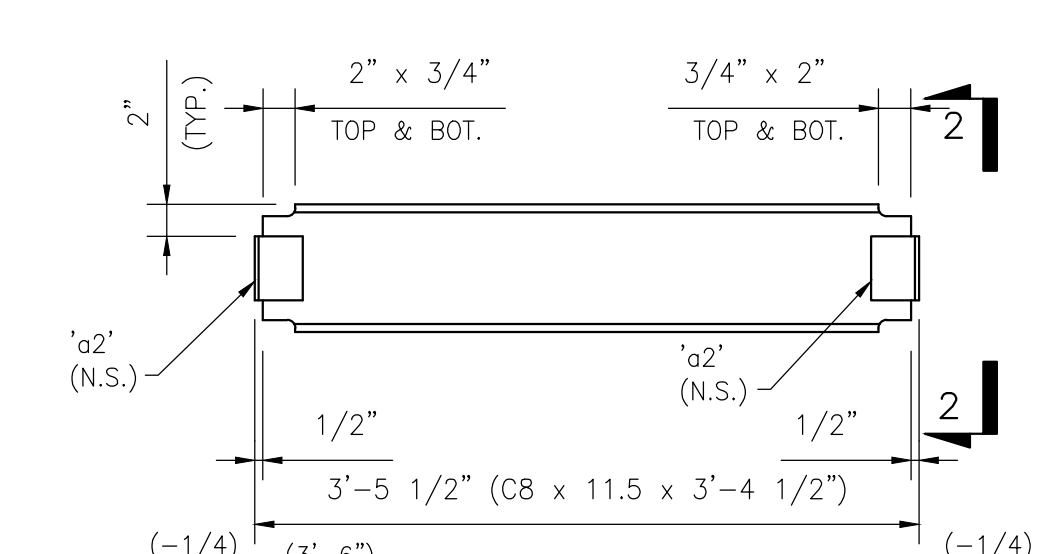
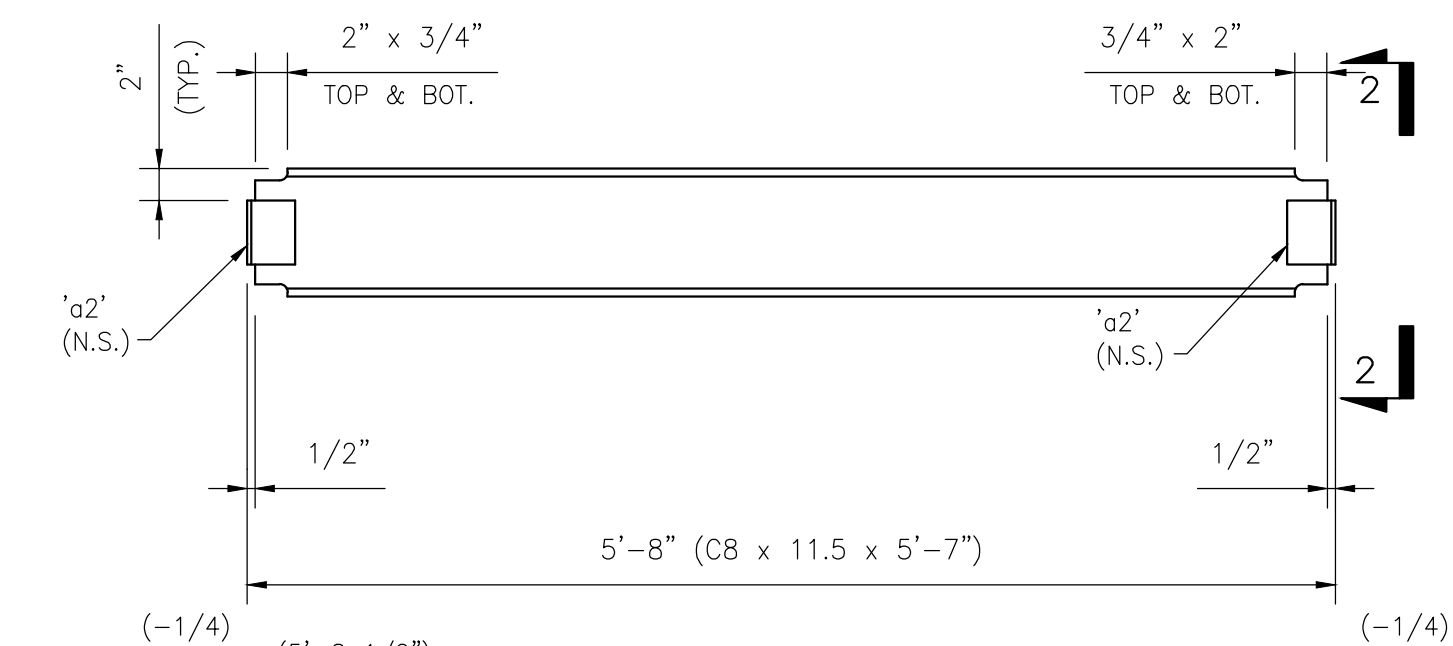
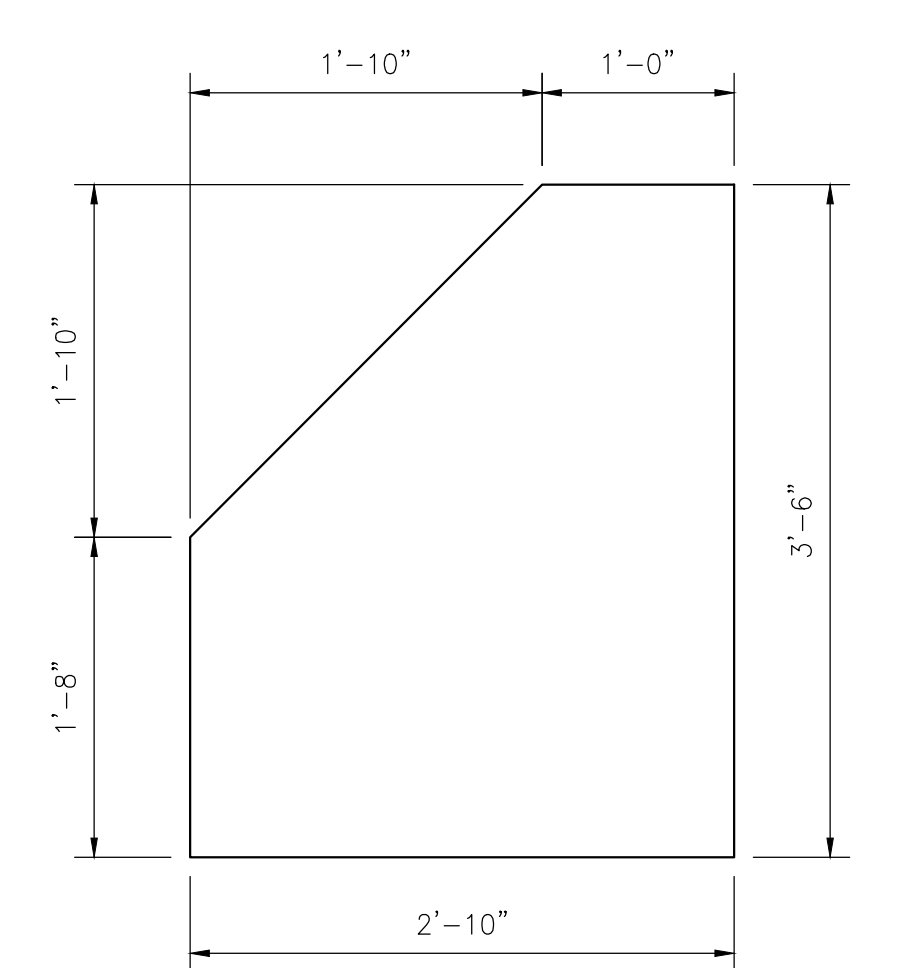


'3LA2' - LANDING ASSEMBLY - 11 REQUIRED
SCALE: 1"=1'-0"



BILL OF MATERIAL				
MATERIAL LISTED FOR ONE UNIT OR ASSEMBLY				
PART NO.	NO. REQ.	DESCRIPTION	MAT'L.	REMARKS
3LA1 - LANDING ASSEMBLY - 13 REQUIRED				
c1	13	C8 x 11.5 x 7'-10"	A36	SEE DETAIL THIS DWG.
p4	26	PL 3/8" x 4" x 0'-6"	A36	SEE PD-1 FOR DETAIL
c2	13	C8 x 11.5 x 6'-0 7/8"	A36	SEE DETAIL THIS DWG.
p4	26	PL 3/8" x 4" x 0'-6"	A36	SEE PD-1 FOR DETAIL
c3	13	C8 x 11.5 x 1-8 7/8"	A36	SEE DETAIL THIS DWG.
o2	13	L 3 x 3 x 3/8 x 0'-4"	A36	PLAIN
c4	13	C8 x 11.5 x 3'-4 1/2"	A36	SEE DETAIL THIS DWG.
o2	26	L 3 x 3 x 3/8 x 0'-4"	A36	PLAIN
c5	13	C8 x 11.5 x 2'-5 3/8"	A36	SEE DETAIL THIS DWG.
bp1	26	PL 3/8 x 4 x 0'-6" (BENT)	A36	SEE DETAIL THIS DWG.
c6	26	C6 x 8.2 x 3'-5"	A36	SEE DETAIL THIS DWG.
3PS1	13	PLATE 12 GA. x 34" x 3'-6" (SHIP LOOSE)	A36	SEE DETAIL THIS DWG.
3PS2	13	PLATE 12 GA. x 34" x 3'-6" (SHIP LOOSE)	A36	PLAIN
3PS3	13	PLATE 12 GA. x 32" x 3'-6" (SHIP LOOSE)	A36	PLAIN
1A1	78	L4 x 4 x 3/8 x 0'-6" (SHIP LOOSE)	A36	SEE PD-1 FOR DETAIL
3LA2 - LANDING ASSEMBLY - 11 REQUIRED				
c1	22	C8 x 11.5 x 7'-10"	A36	SEE DETAIL THIS DWG.
p4	44	PL 3/8" x 4" x 0'-6"	A36	SEE PD-1 FOR DETAIL
c7	22	C8 x 11.5 x 5'-7"	A36	SEE DETAIL THIS DWG.
o2	44	L 3 x 3 x 3/8 x 0'-4"	A36	PLAIN
c8	22	C6 x 8.2 x 5'-7 1/2"	A36	SEE DETAIL THIS DWG.
3PS4	22	PLATE 12 GA. x 34" x 5'-8 1/2" (SHIP LOOSE)	A36	PLAIN
3PS5	11	PLATE 12 GA. x 32" x 5'-8 1/2" (SHIP LOOSE)	A36	PLAIN
1A1	77	L4 x 4 x 3/8 x 0'-6" (SHIP LOOSE)	A36	SEE PD-1 FOR DETAIL



ALL MATERIAL SHOWN ON THIS DRAWING SHALL RECEIVE ONE COAT OF STANDARD SHOP PRIMER U.N.O.

STAIR A				
FABRICATION DETAILS				
NO.	DATE	REVISION DESCRIPTION	ISSUED BY	SCALE: AS NOTED
2				
1	5/24/22	UPDATED FOR FABRICATION	TS	DRAWN BY: KSB PROJECT NUMBER
0	5/2/22	ISSUE FOR FABRICATION	TS	CHECKED BY: TS
				21-175
				PD-3