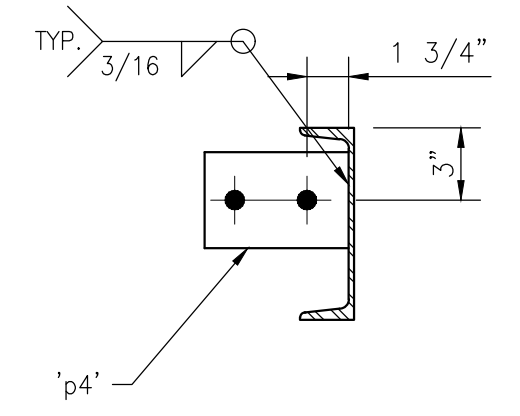
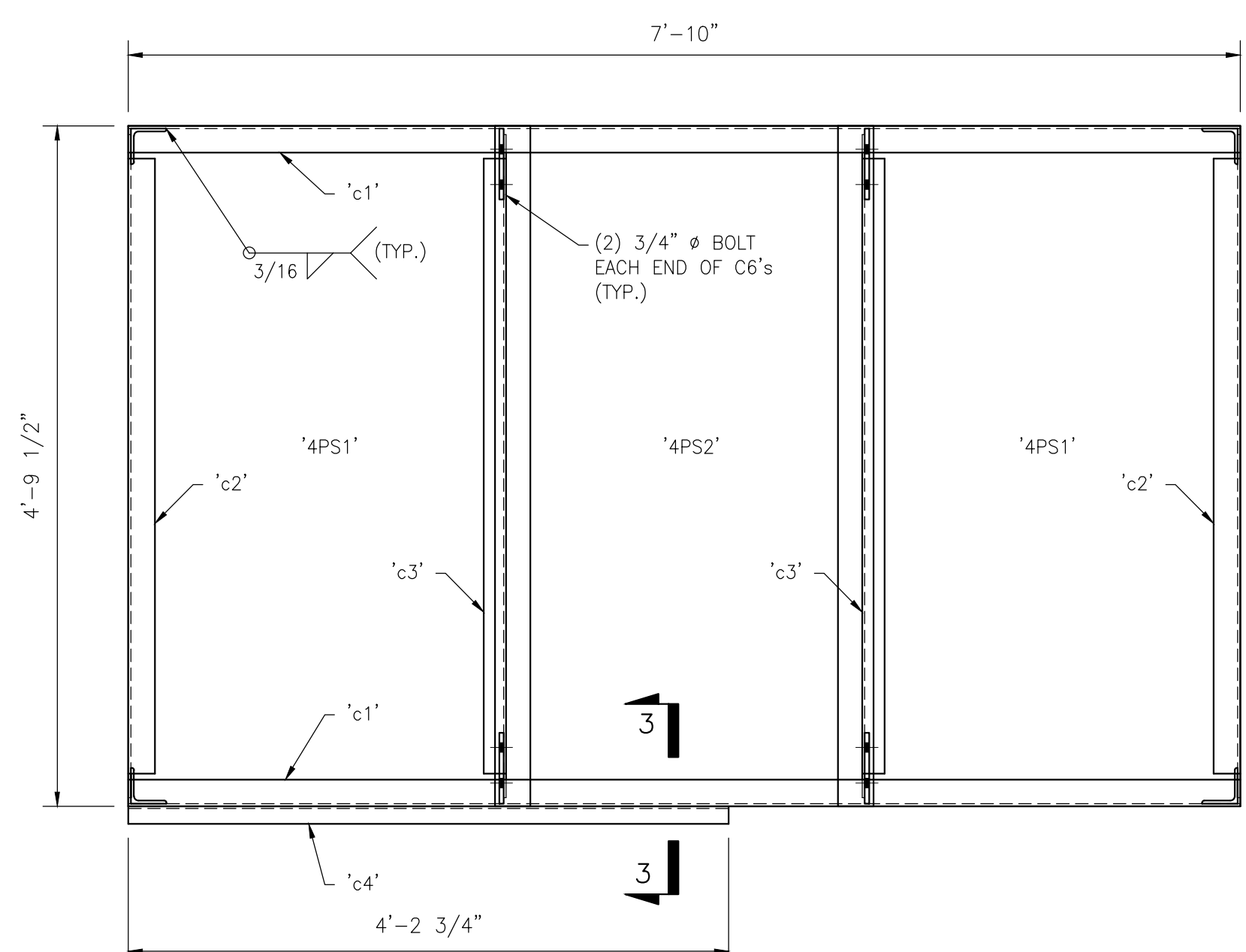
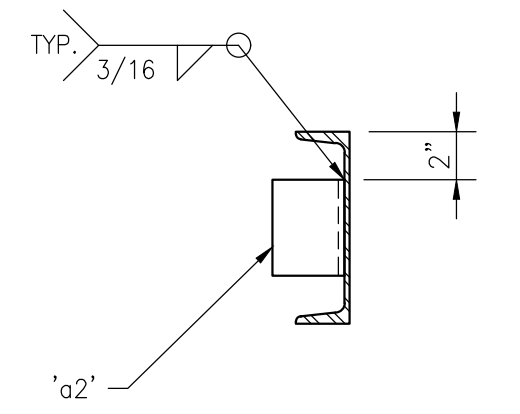


BILL OF MATERIAL				
MATERIAL LISTED FOR ONE UNIT OR ASSEMBLY				
PART NO.	NO. REQ.	DESCRIPTION	MAT'L.	REMARKS
4LA1 - LANDING ASSEMBLY - ONE REQUIRED				
c1	2	C8 x 11.5 x 7'-10"	A36	SEE DETAIL THIS DWG.
p4	4	PL 3/8" x 4" x 0'-6"	A36	SEE PD-1 FOR DETAIL
c2	2	C8 x 11.5 x 4'-10"	A36	SEE DETAIL THIS DWG.
a2	4	L 3 x 3 x 3/8 x 0'-4"	A36	PLAIN
c3	2	C6 x 8.2 x 4'-10 1/2"	A36	SEE DETAIL THIS DWG.
c4	ONE	MC12 x 10.6 x 4'-2 3/4"	A36	PLAIN
4PS1	2	PLATE 12 GA. x 34" x 4'-11 1/2" (SHIP LOOSE)	A36	PLAIN
4PS2	ONE	PLATE 12 GA. x 32" x 4'-11 1/2" (SHIP LOOSE)	A36	PLAIN
1A1	7	L4 x 4 x 3/8 x 0'-6" (SHIP LOOSE)	A36	SEE PD-1 FOR DETAIL

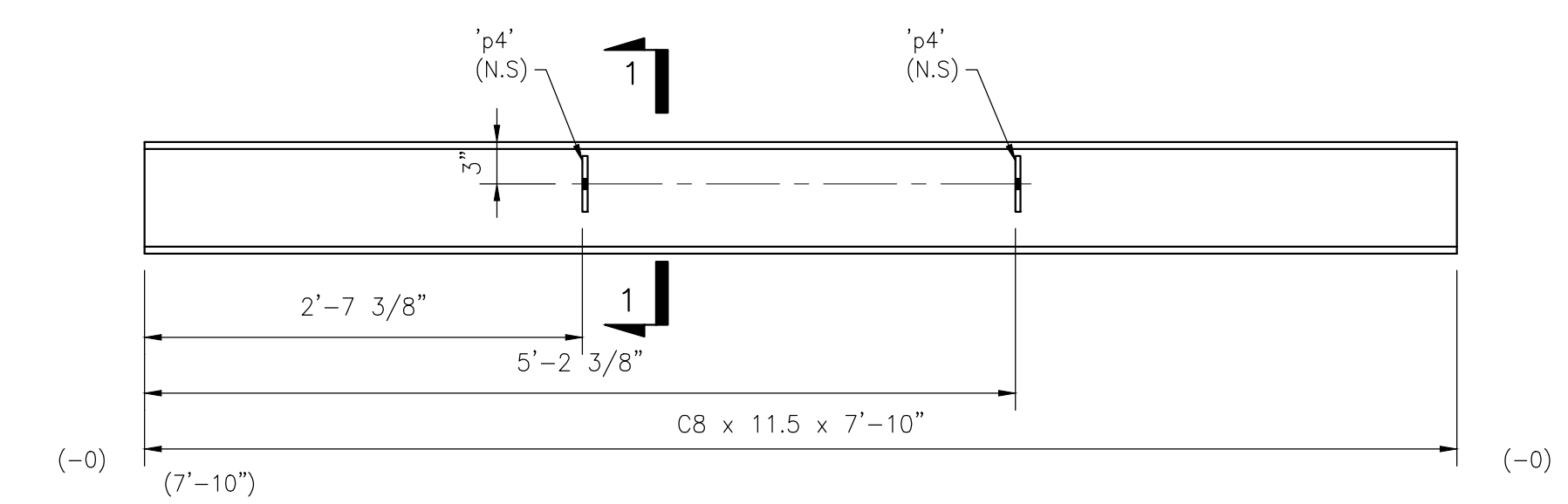


SECTION 1-1  
SCALE: 1 1/2"=1'-0"

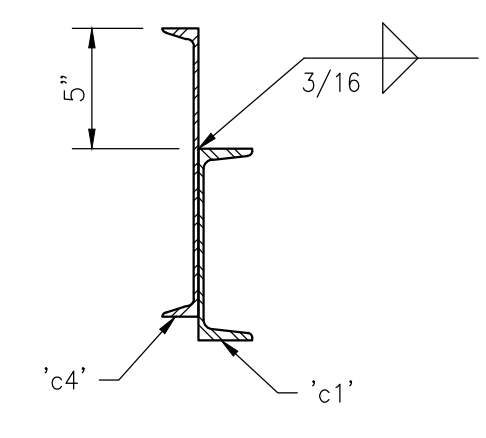


SECTION 2-2  
SCALE: 1 1/2"=1'-0"

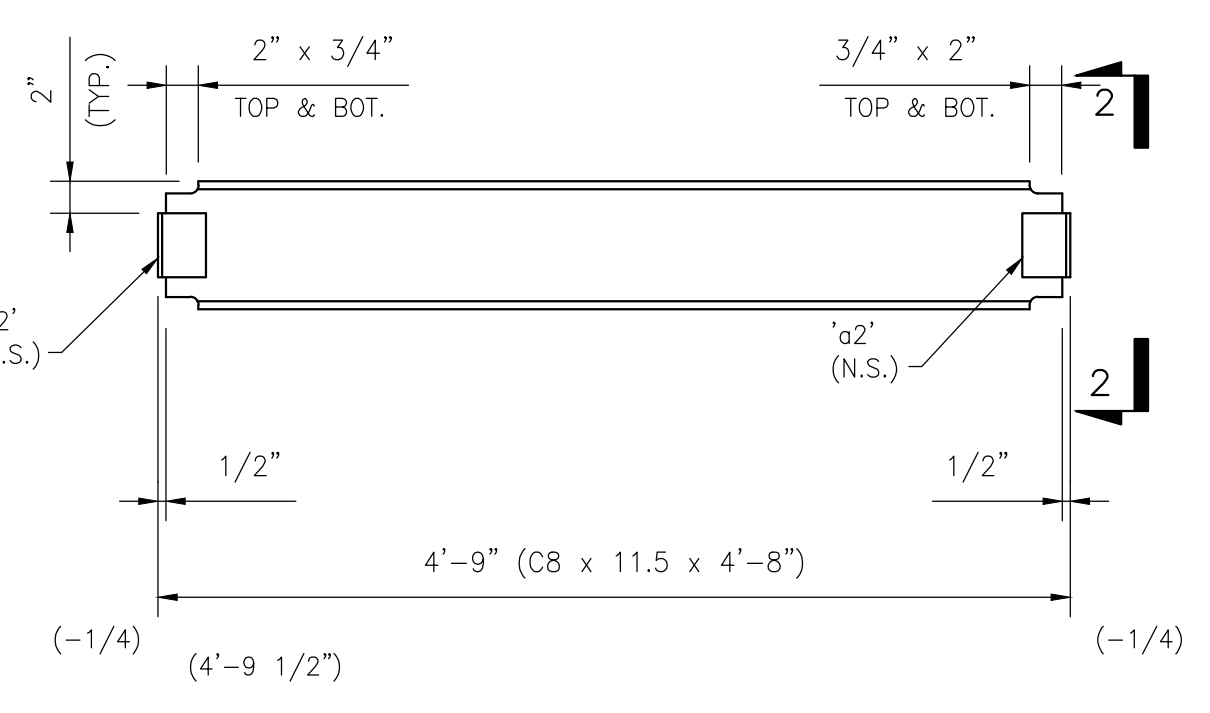
'4LA1' - LANDING ASSEMBLY - ONE REQUIRED  
SCALE: 1"=1'-0"



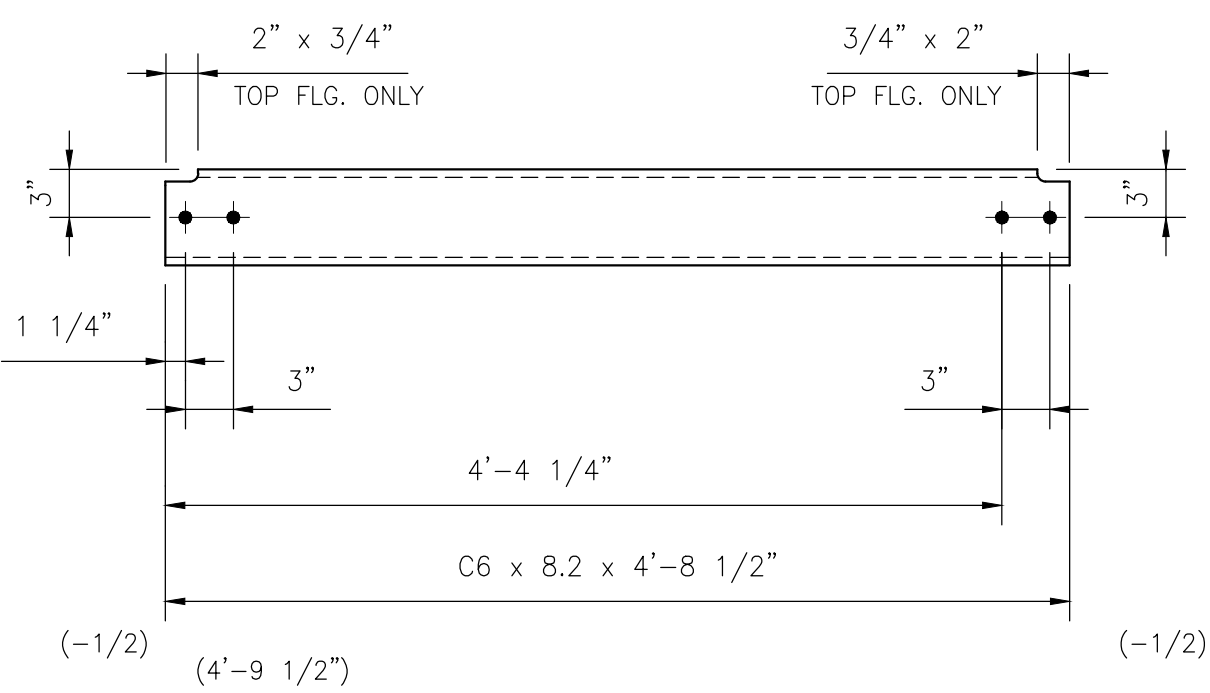
DETAIL OF 'c1'  
SCALE: 1"=1'-0"



SECTION 3-3  
SCALE: 1 1/2"=1'-0"



DETAIL OF 'c2'  
SCALE: 1"=1'-0"



DETAIL OF 'c3'  
SCALE: 1"=1'-0"

ALL MATERIAL SHOWN ON THIS DRAWING SHALL RECEIVE ONE COAT OF STANDARD SHOP PRIMER U.N.O.

STAIR A  
FABRICATION DETAILS

2					
1	5/24/22	UPDATED FOR FABRICATION	TS	DRAWN BY: KSB	PROJECT NUMBER
0	5/2/22	ISSUE FOR FABRICATION	TS	CHECKED BY: TS	21-175
NO.	DATE	REVISION DESCRIPTION	ISSUED BY	SCALE: AS NOTED	PD-4