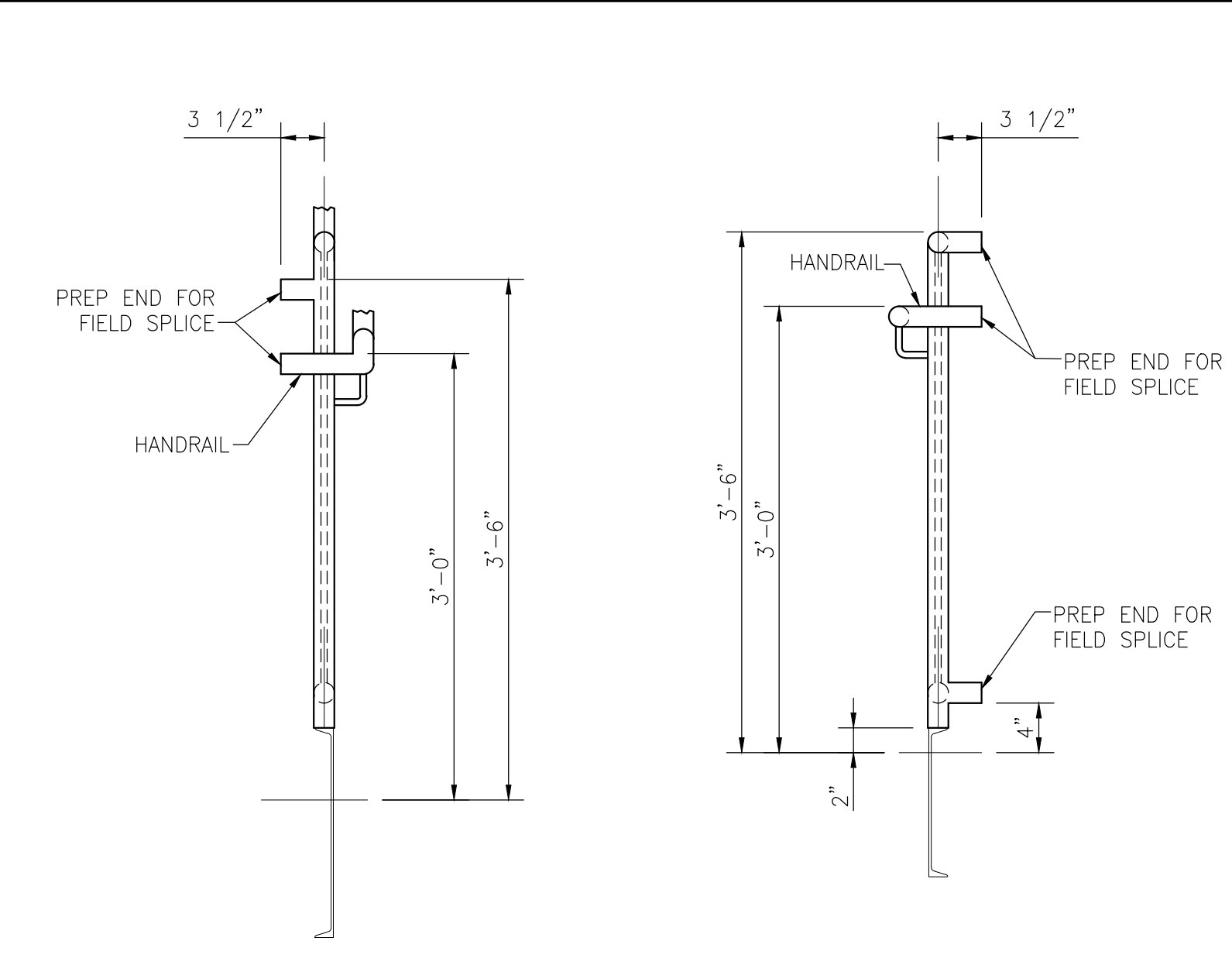
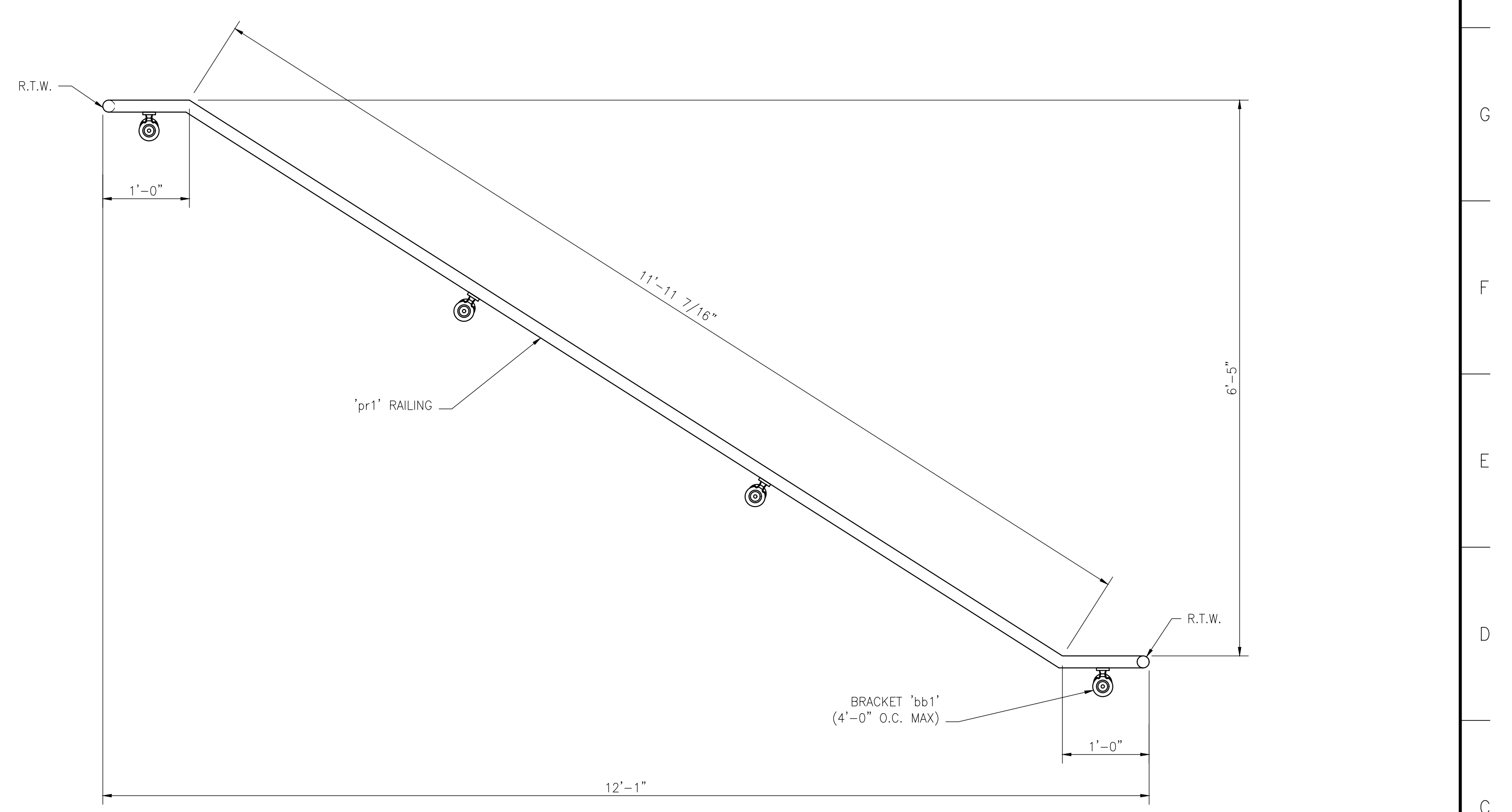


'3RA' - RAILING ASSEMBY - 2 REQUIRED  
SCALE: 1"=1'-0"



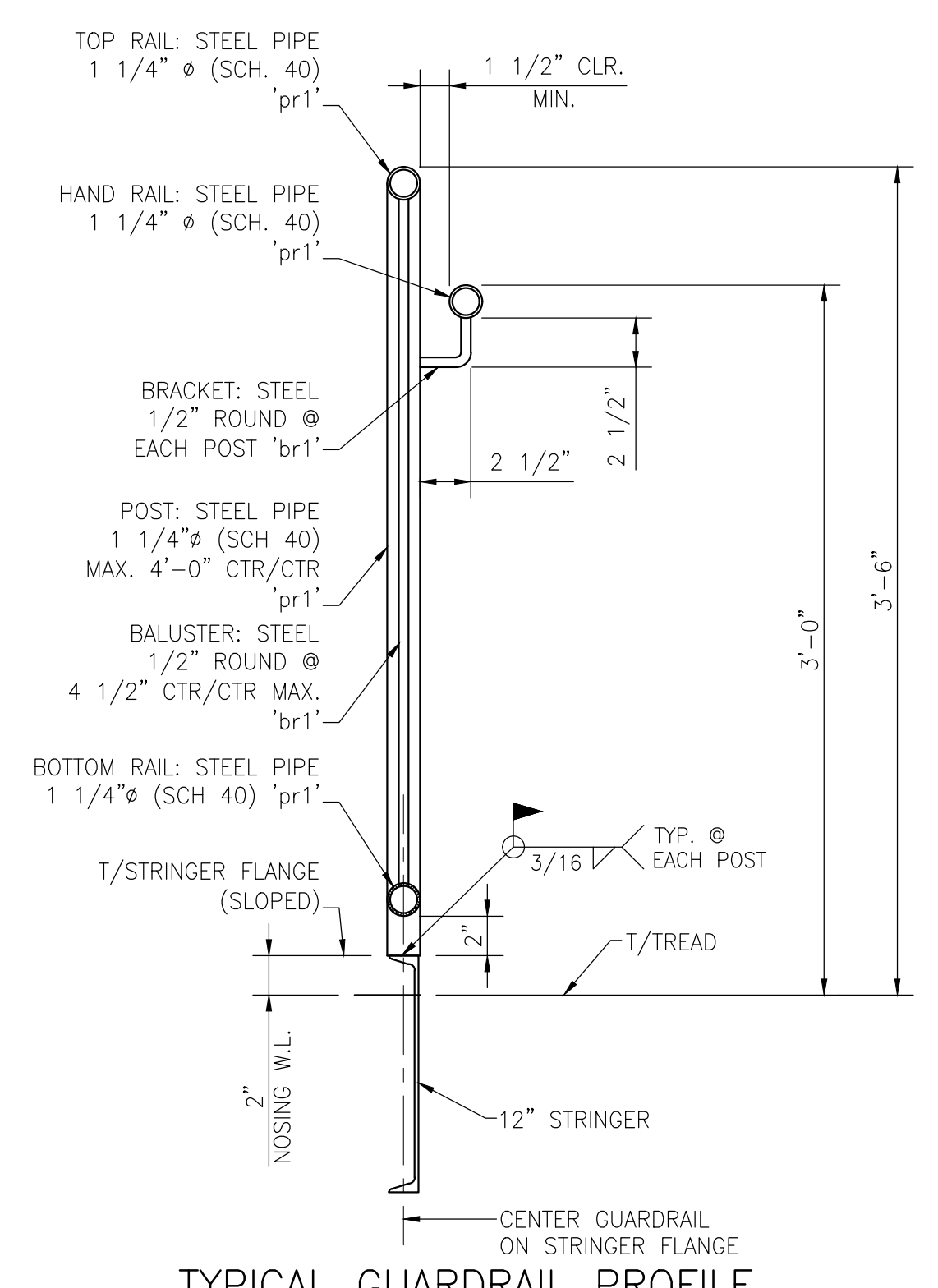
SECTION '1-1' SCALE: 1"=1'-0"  
SECTION '2-2' SCALE: 1"=1'-0"

BILL OF MATERIAL				
MATERIAL LISTED FOR ONE UNIT OR ASSEMBLY				
PART NO.	NO. REQ.	DESCRIPTION	MAT'L.	REMARKS
'3RA' - RAIL ASSEMBLY - 2 REQUIRED				
pr1	ONE	PIPE 1 1/4" (SCH 40) x 50'-0"±	A53 OR B	CUT TO SUIT
br1	ONE	BAR 1/2"φ x 70'-0"±	A36	CUT TO SUIT
'3RB' - RAIL ASSEMBLY - 2 REQUIRED				
pr1	ONE	PIPE 1 1/4" (SCH 40) x 14'-0"±	A53 OR B	CUT TO SUIT
bb1	4	STEEL BRACKET (#1938R BY WAGNER)	STEEL	

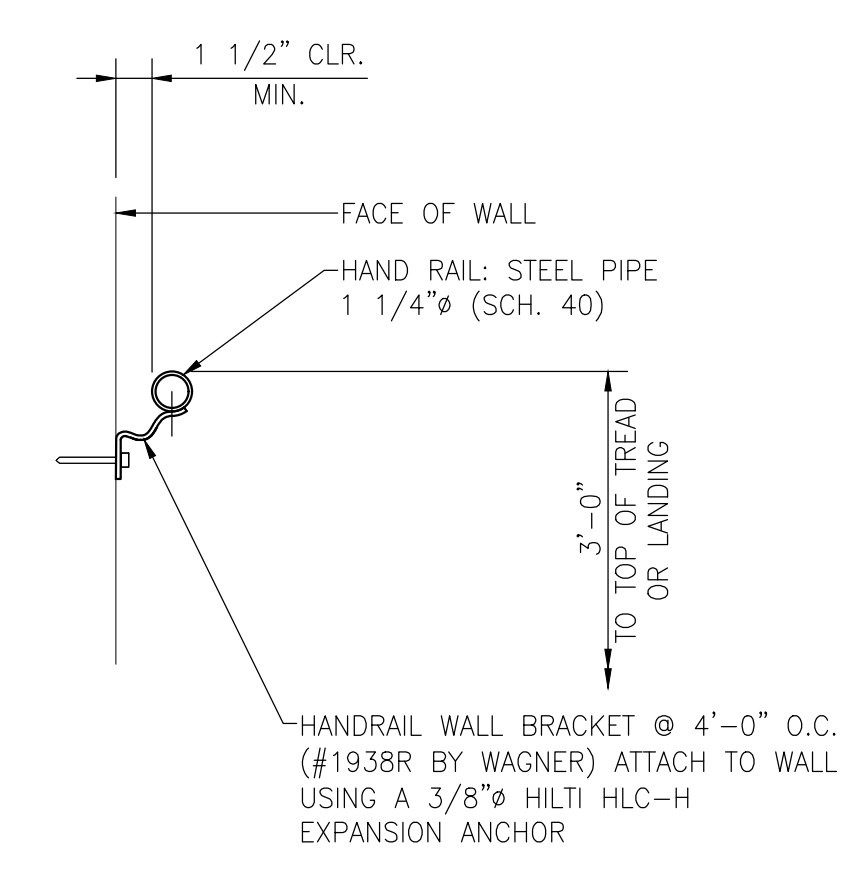


'3RB' - RAILING ASSEMBLY - 2 REQUIRED  
SCALE: 1"=1'-0"

ALL MATERIAL SHOWN ON THIS DRAWING SHALL RECEIVE ONE COAT OF STANDARD SHOP PRIMER U.N.O.



TYPICAL GUARDRAIL PROFILE  
SCALE: 1 1/2"=1'-0"



TYPICAL WALL MOUNTED RAIL PROFILE  
SCALE: 1 1/2"=1'-0"

STAIR A	
FABRICATION DETAILS	
DRAWN BY: KSB	PROJECT NUMBER
CHECKED BY: TS	21-175
SCALE: AS NOTED	RD-3

2			
1			
0	5/24/22	ISSUE FOR FABRICATION	TS
NO.	DATE	REVISION DESCRIPTION	ISSUED BY