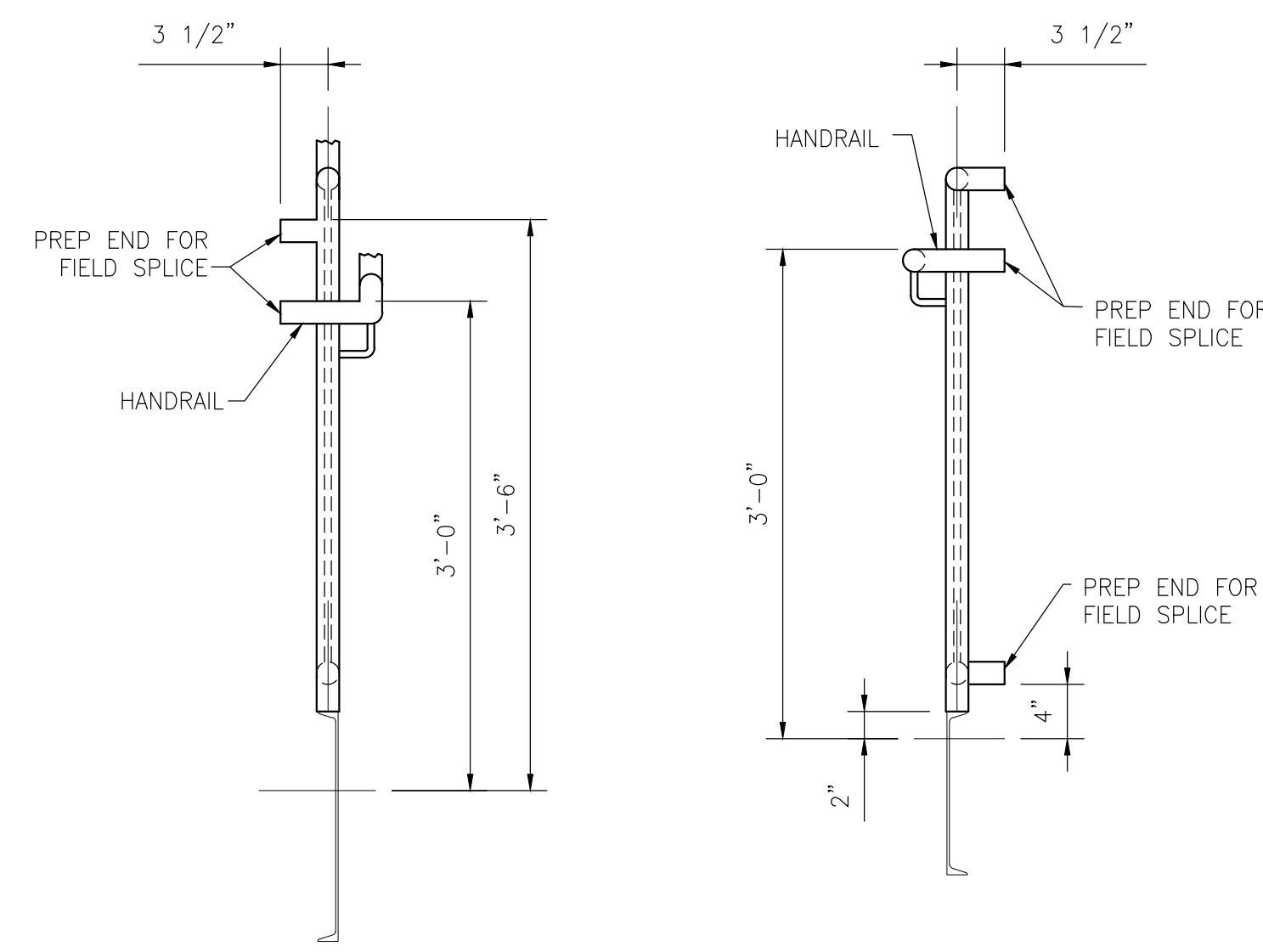
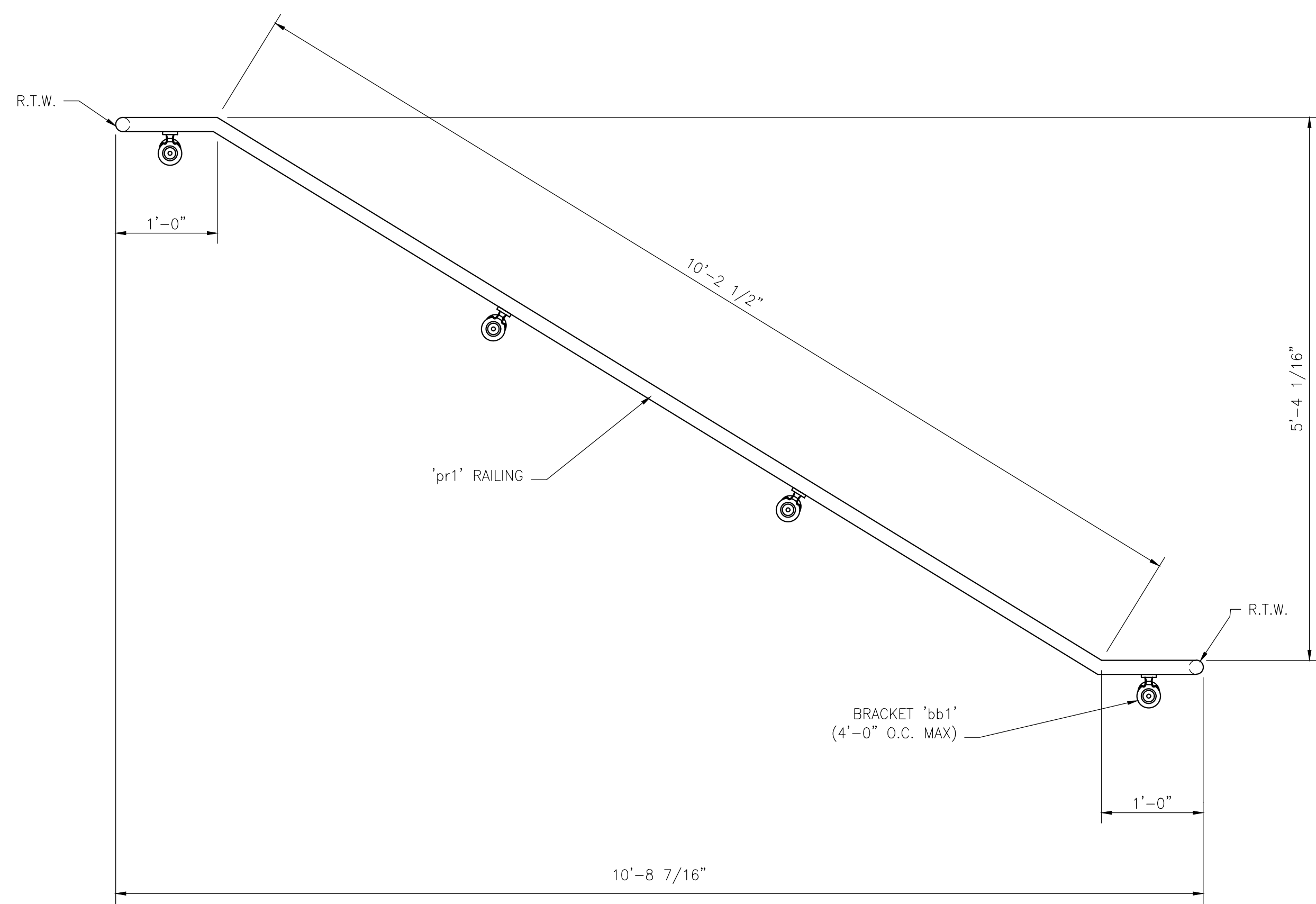


**'6RA' - RAILING ASSEMBLY - 10 REQUIRED**  
SCALE: 1"=1'-0"



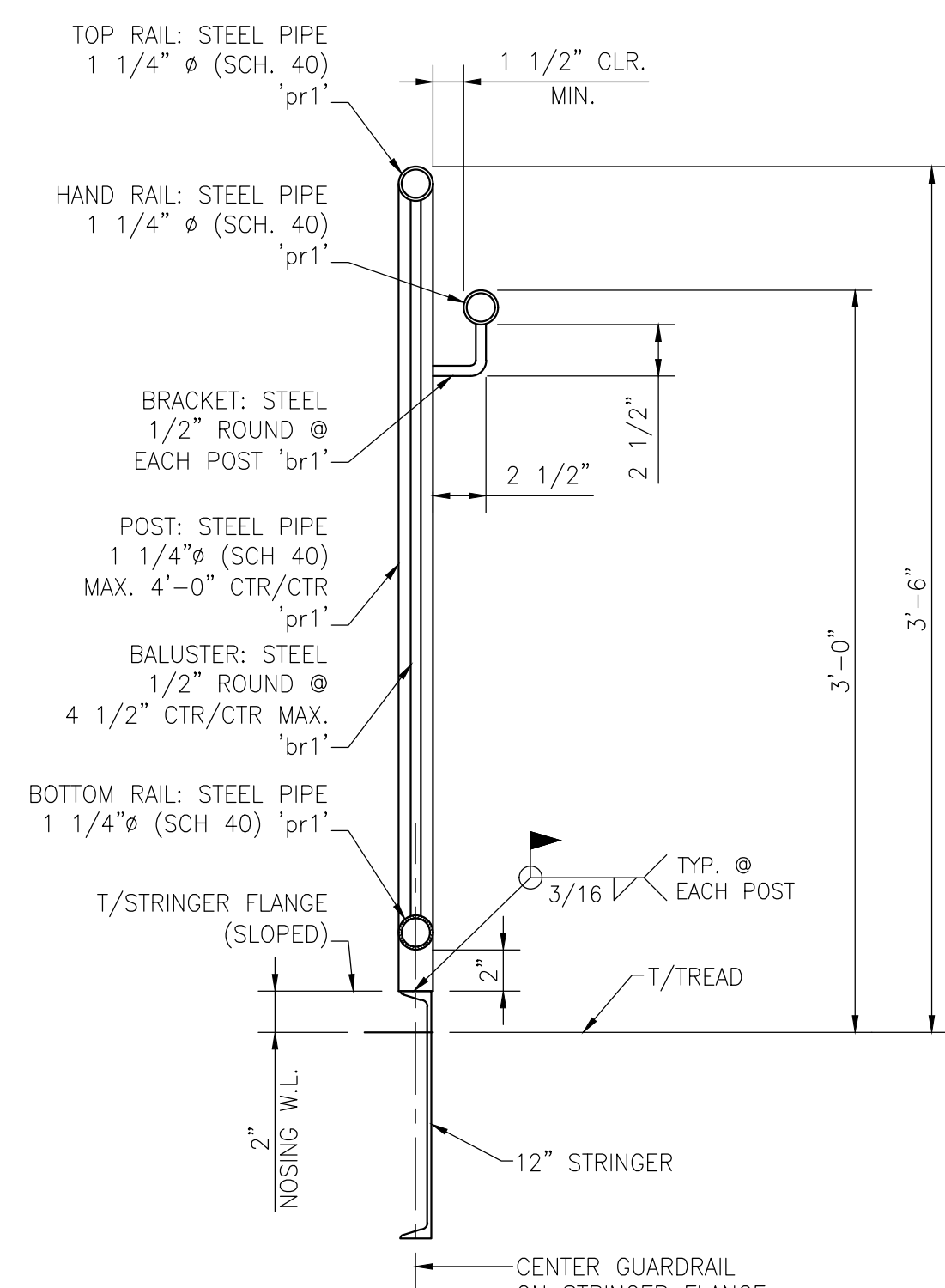
**SECTION '1-1'**  
SCALE: 1"=1'-0"

**SECTION '2-2'**  
SCALE: 1"=1'-0"

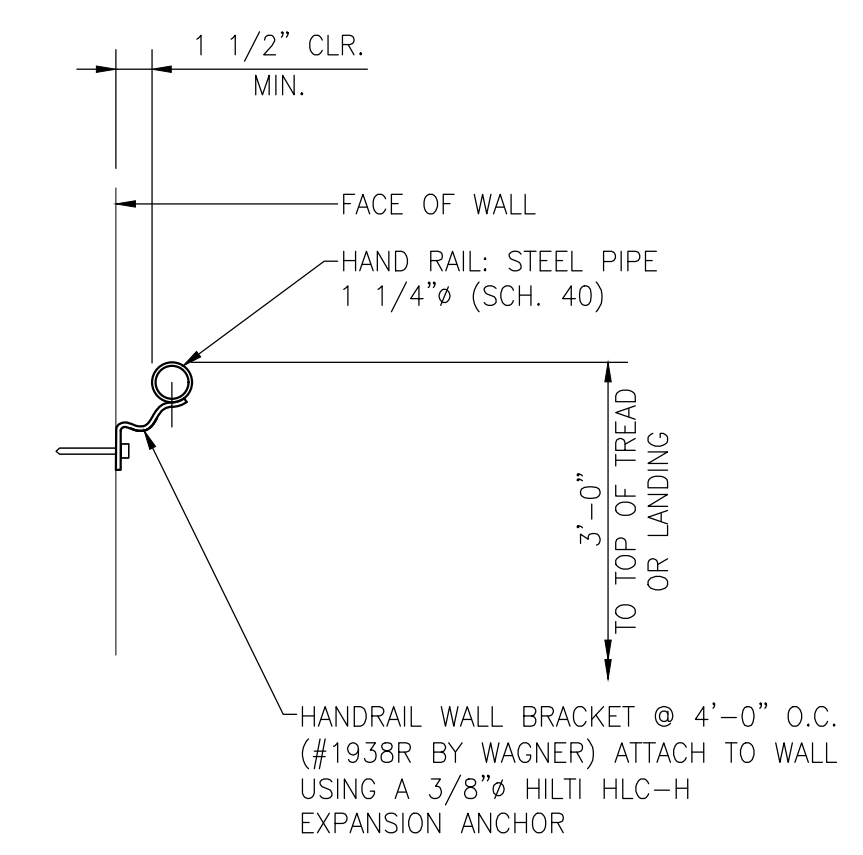


**'6RB' - RAILING ASSEMBLY - 10 REQUIRED**  
SCALE: 1"=1'-0"

ALL MATERIAL SHOWN ON THIS DRAWING SHALL RECEIVE ONE COAT OF STANDARD SHOP PRIMER U.N.O.



**TYPICAL GUARDRAIL PROFILE**  
SCALE: 1 1/2"=1'-0"



**TYPICAL WALL MOUNTED RAIL PROFILE**  
SCALE: 1 1/2"=1'-0"

BILL OF MATERIAL				
MATERIAL LISTED FOR ONE UNIT OR ASSEMBLY				
PART NO.	NO. REQ.	DESCRIPTION	MAT'L.	REMARKS
<b>'6RA' - RAIL ASSEMBLY - 10 REQUIRED</b>				
pr1	ONE	PIPE 1 1/4" (SCH 40) x 46'-0"±	A53 DR B	CUT TO SUIT
br1	ONE	BAR 1/2"Ø x 60'-0"±	A36	CUT TO SUIT
<b>'6RB' - RAIL ASSEMBLY - 10 REQUIRED</b>				
pr1	ONE	PIPE 1 1/4" (SCH 40) x 13'-0"±	A53 DR B	CUT TO SUIT
bb1	4	STEEL BRACKET (#1938R BY WAGNER)	STEEL	

STAIR A			
FABRICATION DETAILS			
DRAWN BY:	KSB	PROJECT NUMBER	
CHECKED BY:	TS		
SCALE:	AS NOTED	<b>21-175</b>	<b>RD-6</b>

2			
1			
0	5/24/22	ISSUE FOR FABRICATION	TS
NO.	DATE	REVISION DESCRIPTION	ISSUED BY