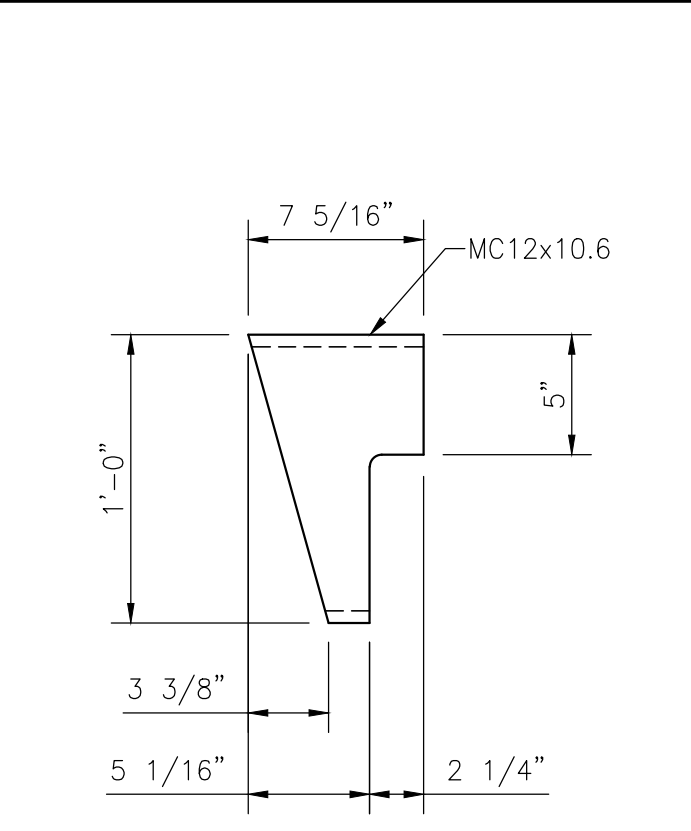
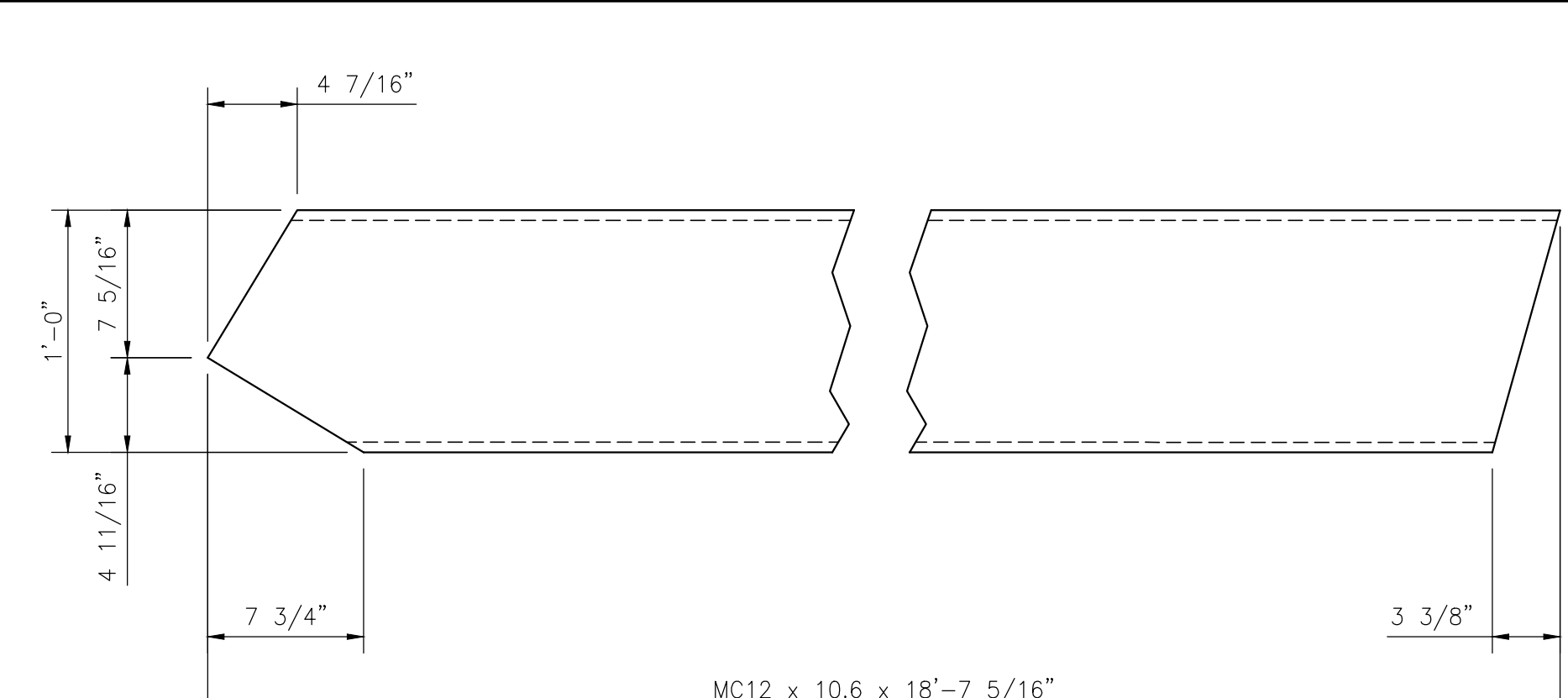
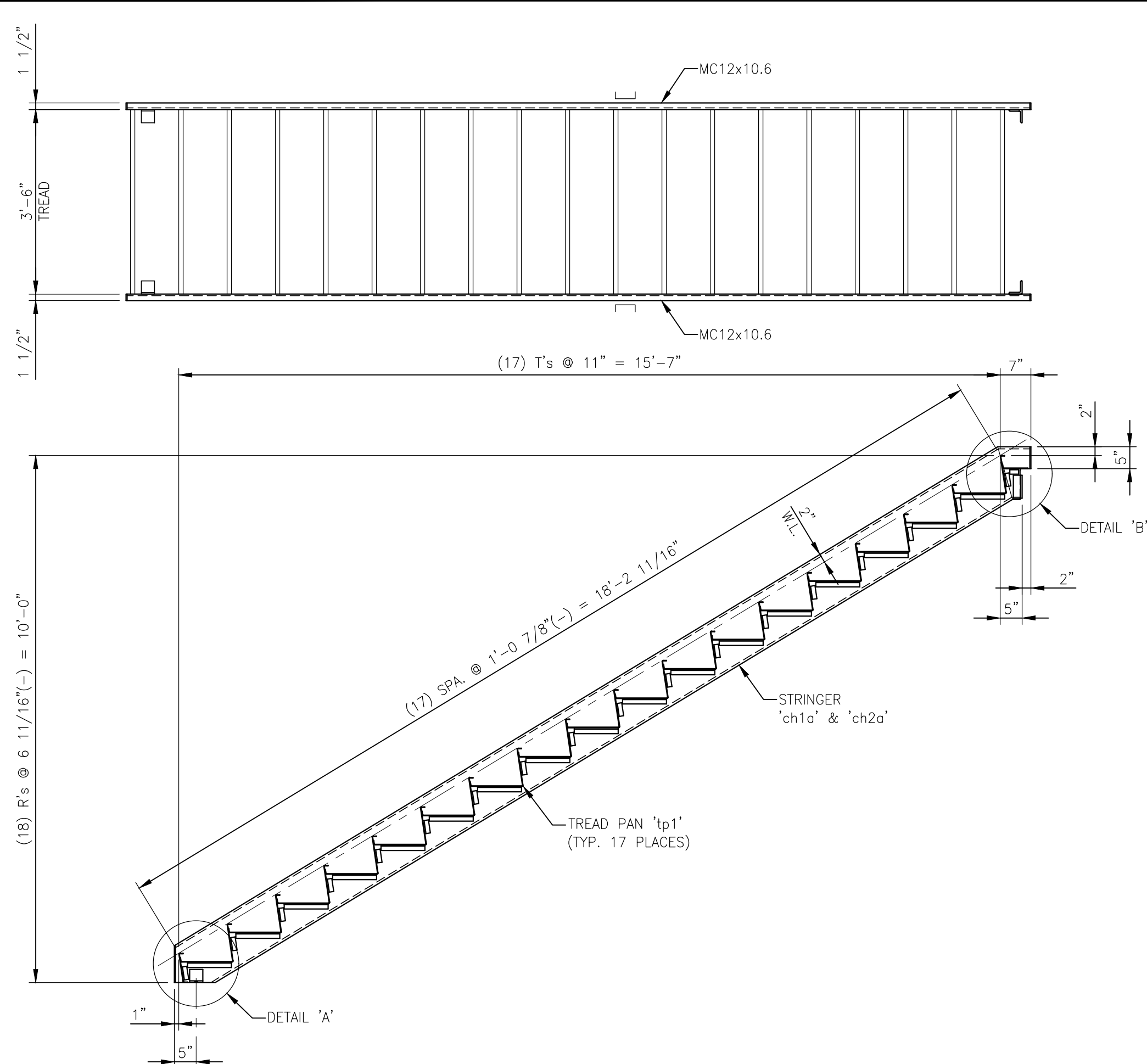


BILL OF MATERIAL
MATERIAL LISTED FOR ONE UNIT OR ASSEMBLY

PART NO.	NO. REQ.	DESCRIPTION	MAT'L.	REMARKS
'1SA' - STAIR ASSEMBLY - ONE REQUIRED				
ch1a	ONE	MC12 x 10.6 x 18'-7 5/16"	A36	SEE DETAIL THIS DWG.
ch2a	ONE	MC12 x 10.6 x 18'-7 5/16"	A36	SEE DETAIL THIS DWG.
ch1b	ONE	MC12 x 10.6 x 0'-7 5/16"	A36	SEE DETAIL THIS DWG.
ch2b	ONE	MC12 x 10.6 x 0'-7 5/16"	A36	SEE DETAIL THIS DWG.
a1	2	L3 x 3 x 3/8 x 0'-3"	A36	SEE DETAIL THIS DWG.
a2	2	L3 x 2 x 3/8 x 0'-5" (SHIP LOOSE)	A36	
p1	2	PLATE 1/4" x 1 1/2" x 0'-8 3/8"	A36	
p2	2	PLATE 1/4" x 1 1/2" x 0'-5"	A36	
ts1	34	L1 1/4" x 1 1/4" x 3/16" x 0'-10"	A36	
ts2	36	L1 1/4" x 1 1/4" x 3/16" x 0'-3"	A36	
ts5	2	L1 1/4" x 1 1/4" x 3/16" x 0'-2"	A36	
tp1	17	PLATE 12GA. x 22" x 3'-6" (BENT)	A36	SEE DETAIL THIS DWG.
tp2	ONE	PLATE 12GA. x 8 1/2" x 3'-6" (BENT)	A36	SEE DETAIL THIS DWG.
tp3	ONE	PLATE 12GA. x 7" x 3'-6" (BENT)	A36	SEE DETAIL THIS DWG.
'1WA' - WALKWAY ASSEMBLY - ONE REQUIRED				
ch3	ONE	C12 x 20.7 x 17'-3 1/2"	A36	SEE DETAIL THIS DWG.
ch4	5	C4 x 5.4 x 3'-8 3/4"	A36	SEE DETAIL THIS DWG.
ch5	ONE	C8 x 11.5 x 17'-0"	A36	
a2	4	L3 x 2 x 3/8 x 0'-5" (SHIP LOOSE)	A36	
1A1	5	L4 x 4 x 3/8 x 0'-6" (SHIP LOOSE)	A36	SEE PD-1 FOR DETAIL
p2	2	PLATE 1/4" x 1 1/2" x 0'-5"	A36	



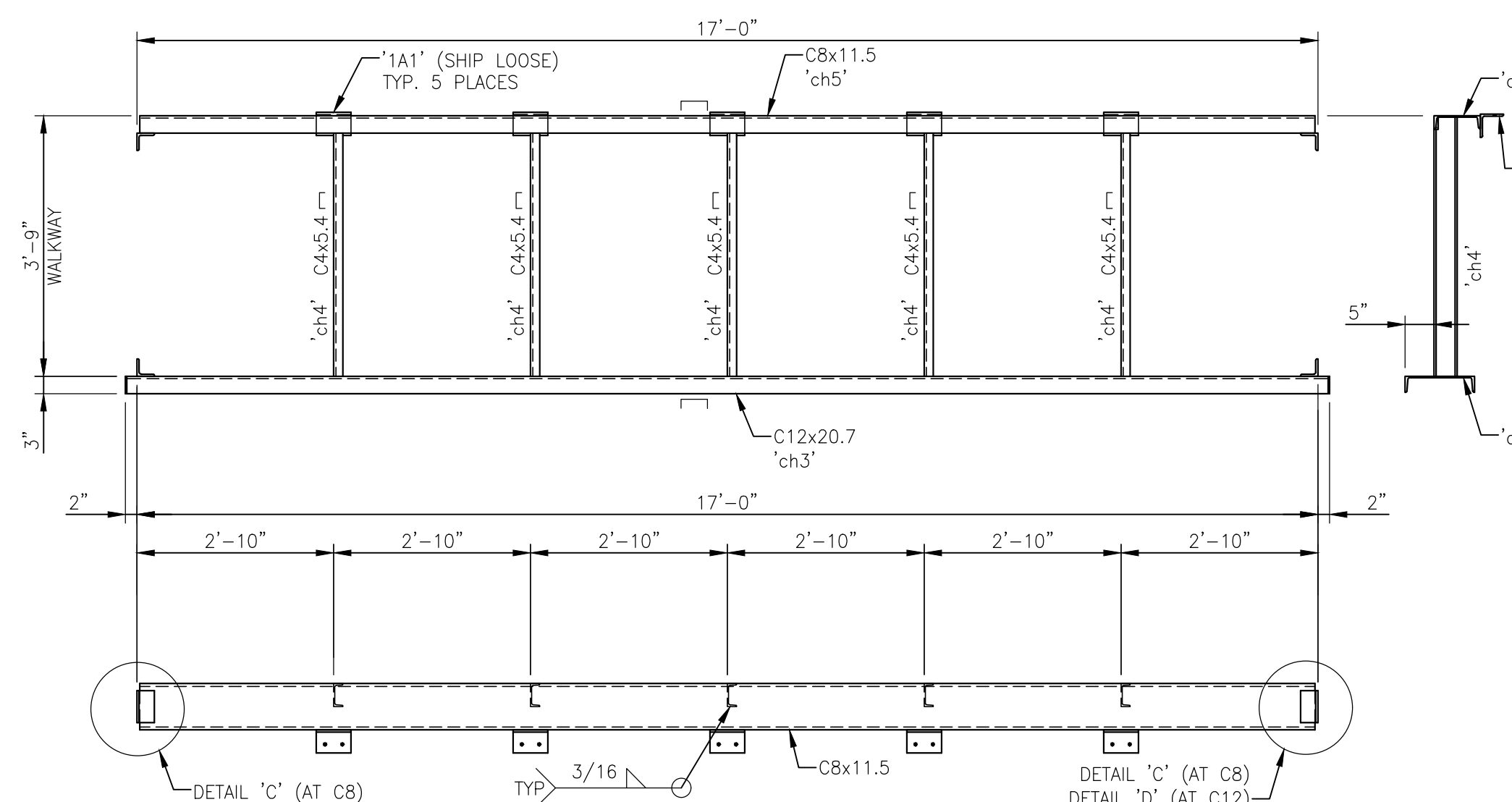
DETAIL OF 'ch1a' (AS SHOWN)
SCALE: 1 1/2" = 1'-0"

DETAIL OF 'ch2a' (OPP. HAND)
SCALE: 1 1/2" = 1'-0"

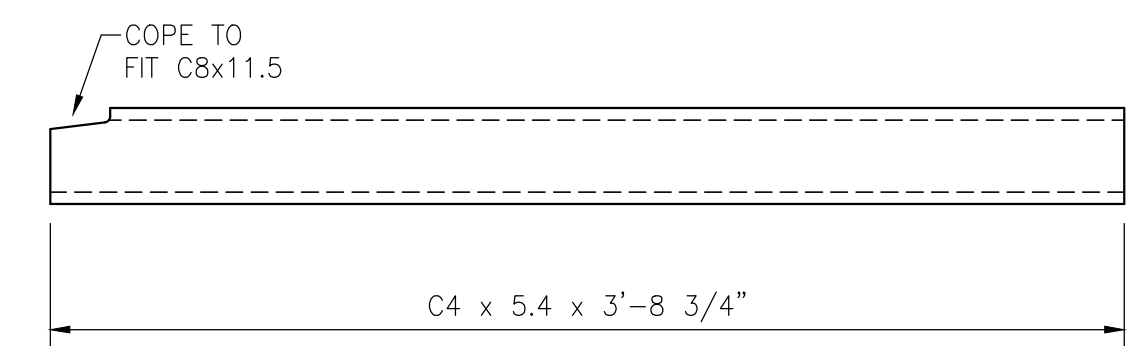
DETAIL OF 'ch1b' (AS SHOWN)
SCALE: 1 1/2" = 1'-0"

DETAIL OF 'ch2b' (OPP. HAND)
SCALE: 1 1/2" = 1'-0"

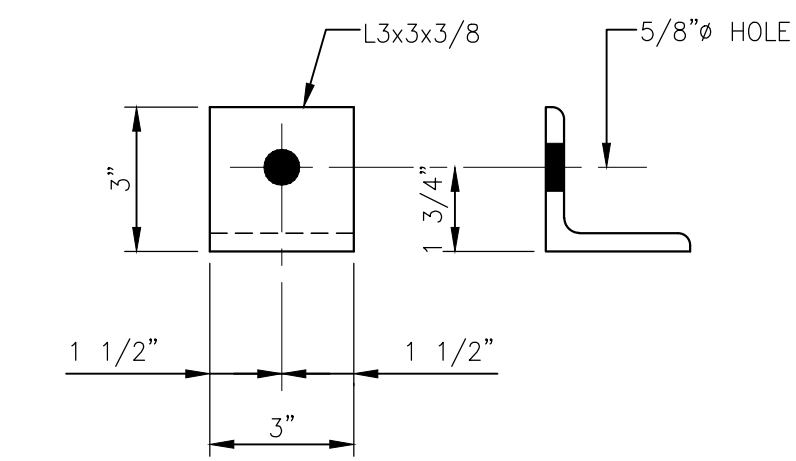
'1SA' - STAIR ASSEMBLY - ONE REQUIRED
SCALE: 1/2" = 1'-0"



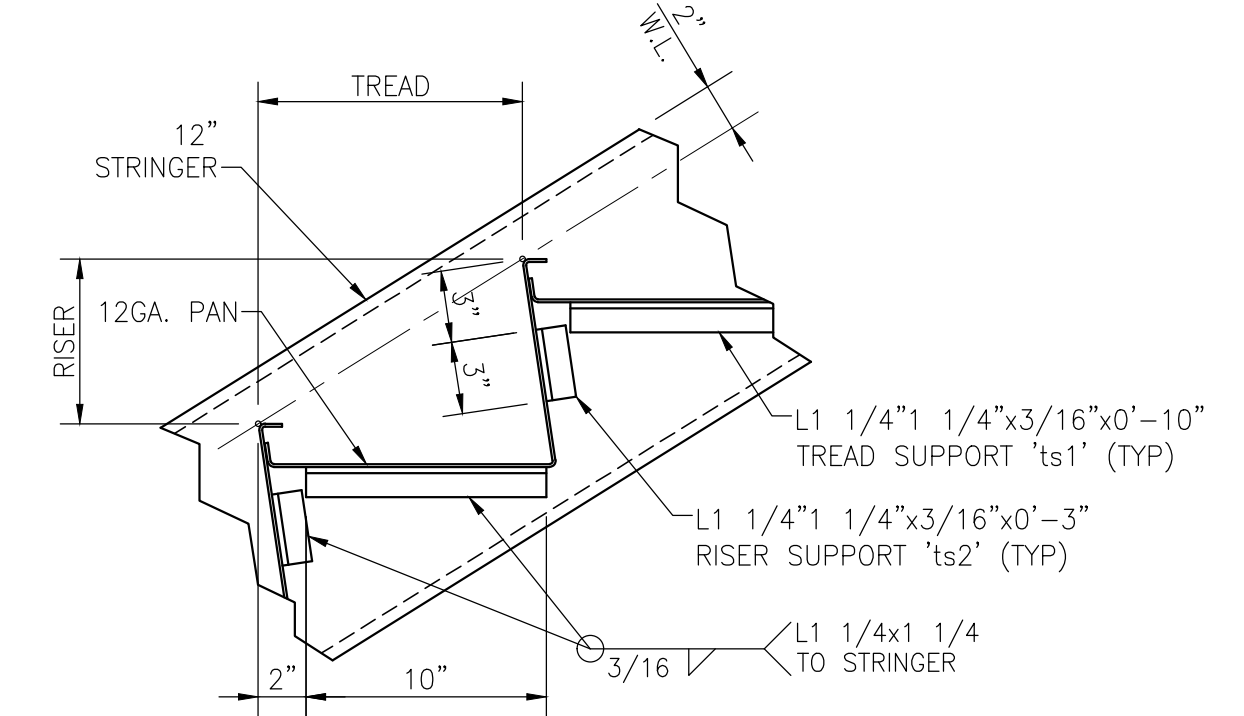
'1WA' - WALKWAY ASSEMBLY - ONE REQUIRED
SCALE: 1/2" = 1'-0"



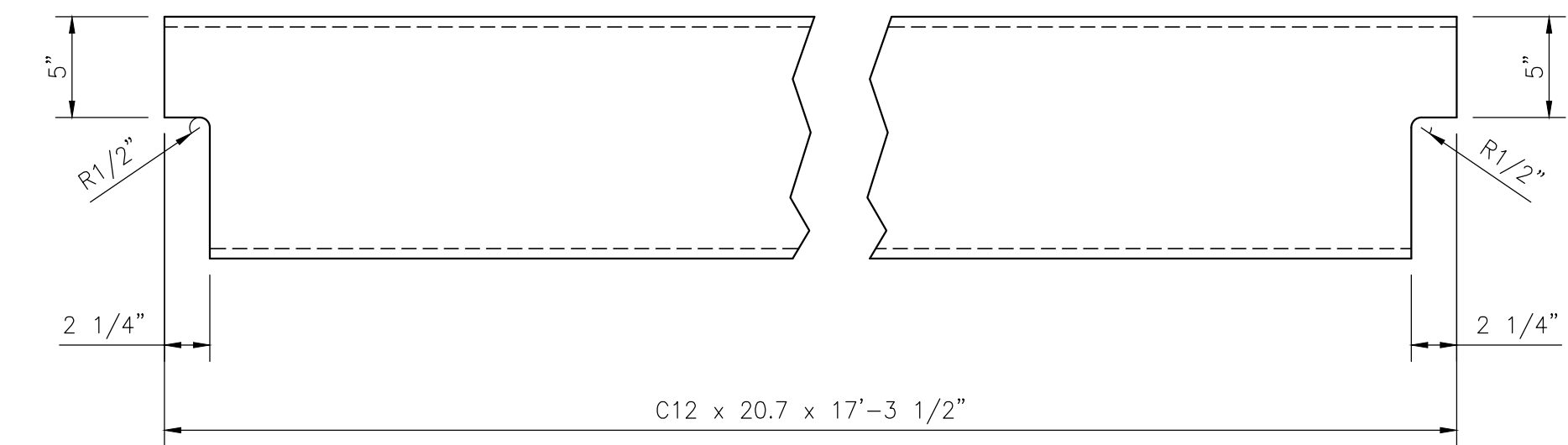
DETAIL OF 'ch4'
SCALE: 1 1/2" = 1'-0"



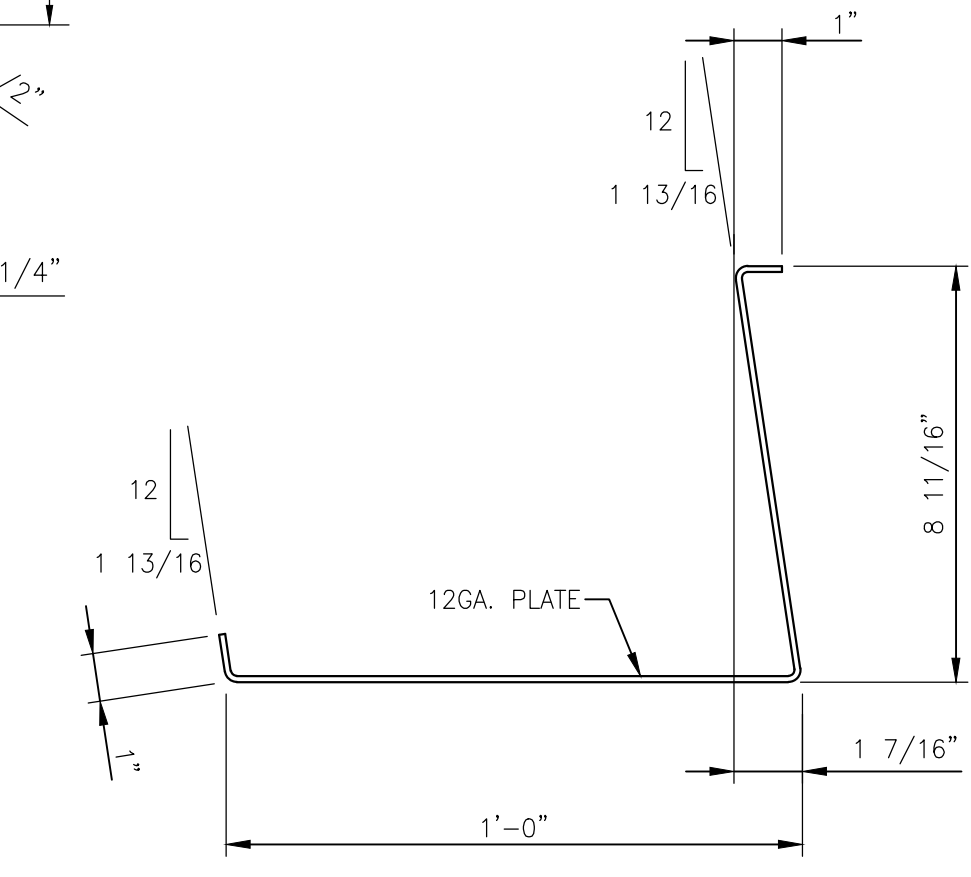
DETAIL OF 'a1'
SCALE: 1 1/2" = 1'-0"



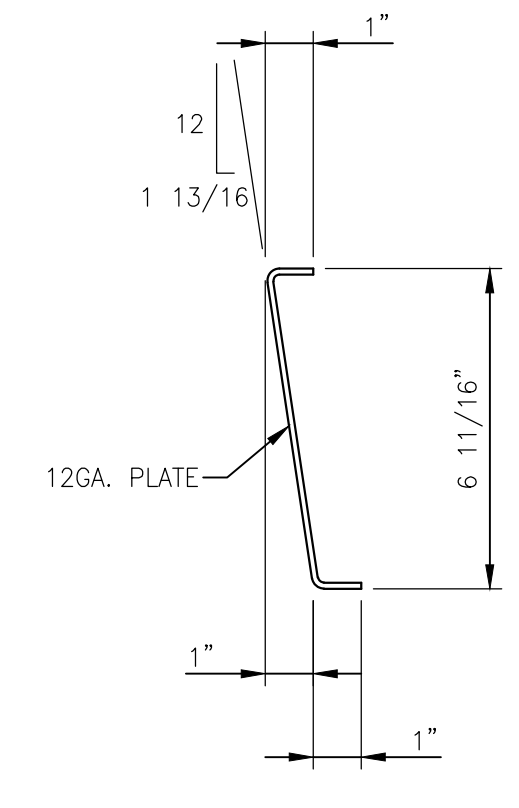
TYPICAL TREAD SUPPORT ANGLE LOCATION
SCALE: 1 1/2" = 1'-0"



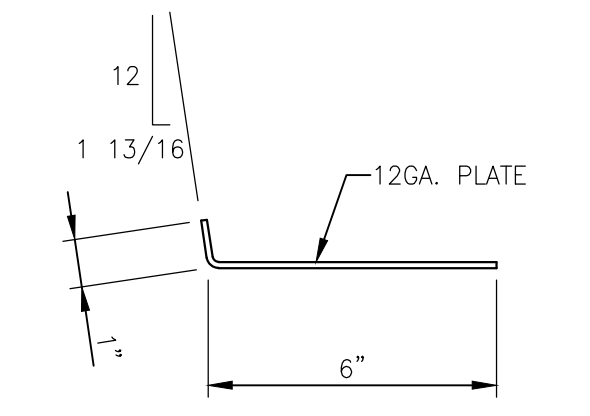
DETAIL OF 'ch5'
SCALE: 1 1/2" = 1'-0"



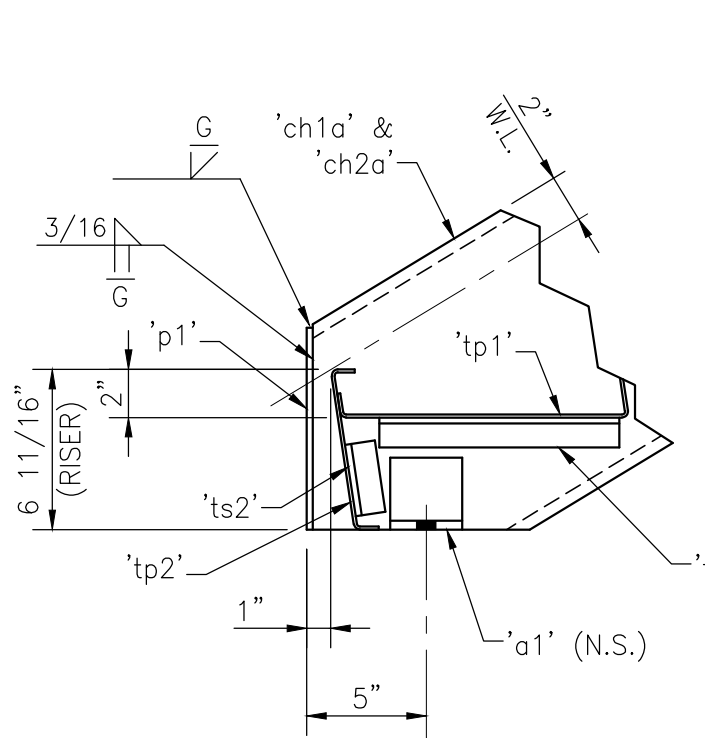
DETAIL OF 'tp1'
SCALE: 1 1/2" = 1'-0"



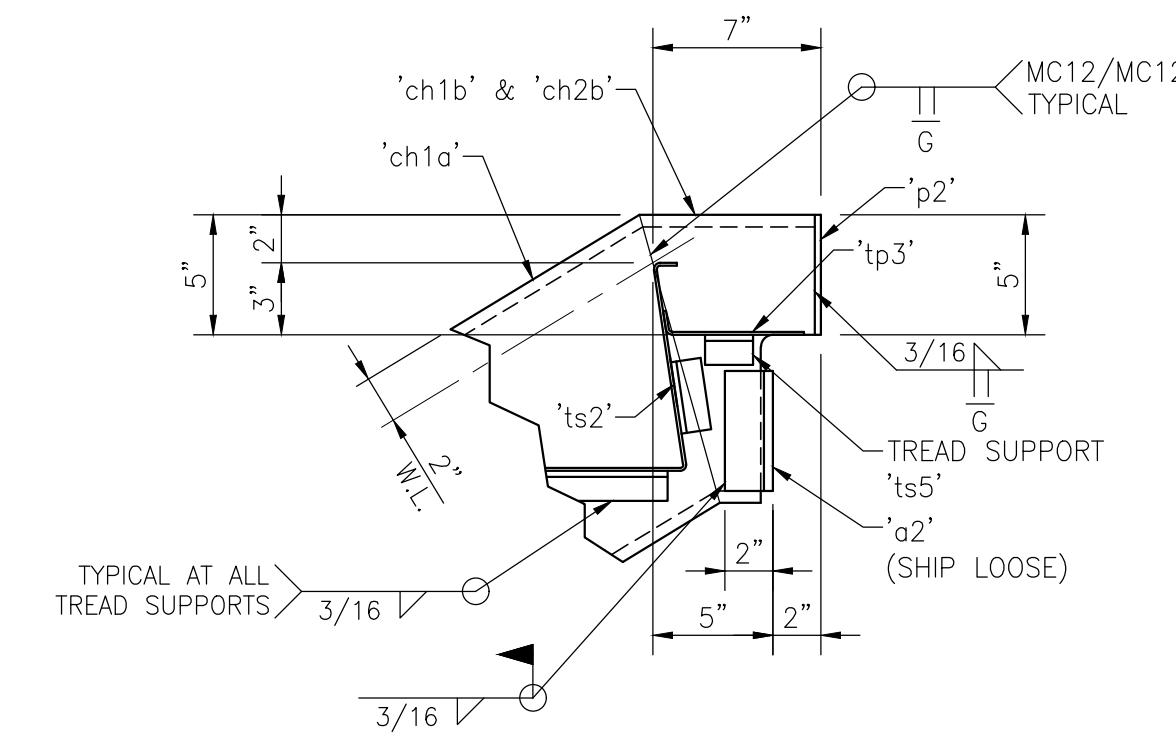
DETAIL OF 'tp2'
SCALE: 1 1/2" = 1'-0"



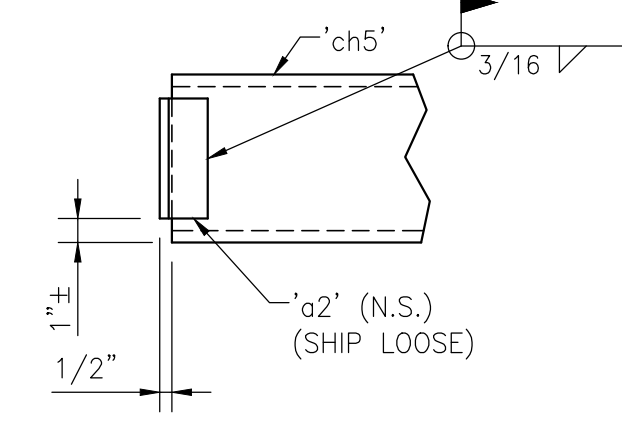
DETAIL OF 'tp3'
SCALE: 1 1/2" = 1'-0"



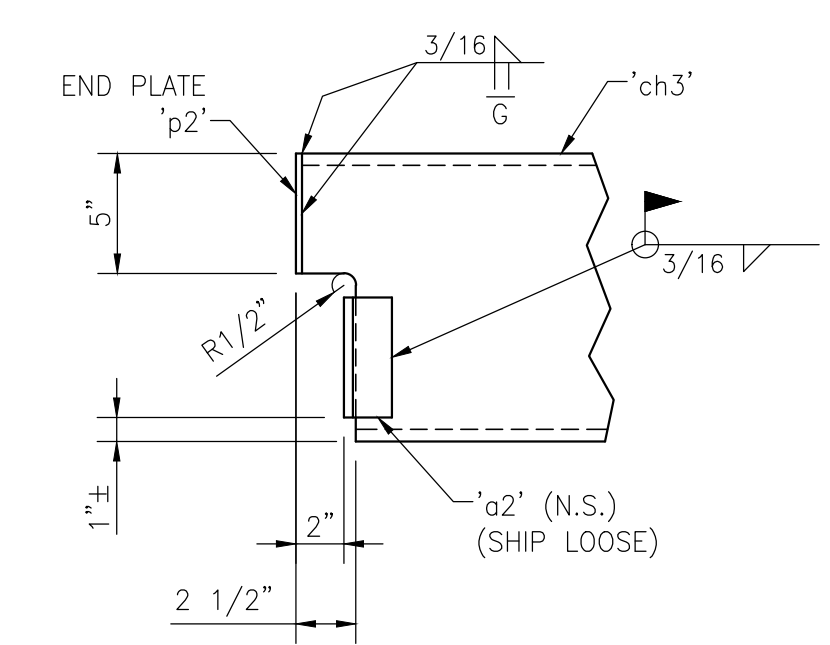
DETAIL 'A'
SCALE: 1 1/2" = 1'-0"



DETAIL 'B'
SCALE: 1 1/2" = 1'-0"



DETAIL 'C'
SCALE: 1 1/2" = 1'-0"



DETAIL 'D'
SCALE: 1 1/2" = 1'-0"

NOTE:
ALL MATERIAL SHOWN ON THIS DRAWING SHALL RECEIVE ONE COAT OF STANDARD SHOP PRIMER U.N.O.

NO.	DATE	REVISION DESCRIPTION	ISSUED BY
1	5/4/22	UPDATED TREAD SUPPORTS	TS
0	5/2/22	ISSUE FOR FABRICATION	TS

STAIR A FABRICATION DETAILS	
DRAWN BY: TS	PROJECT NUMBER
CHECKED BY: JA	21-175
SCALE: AS NOTED	SD-1