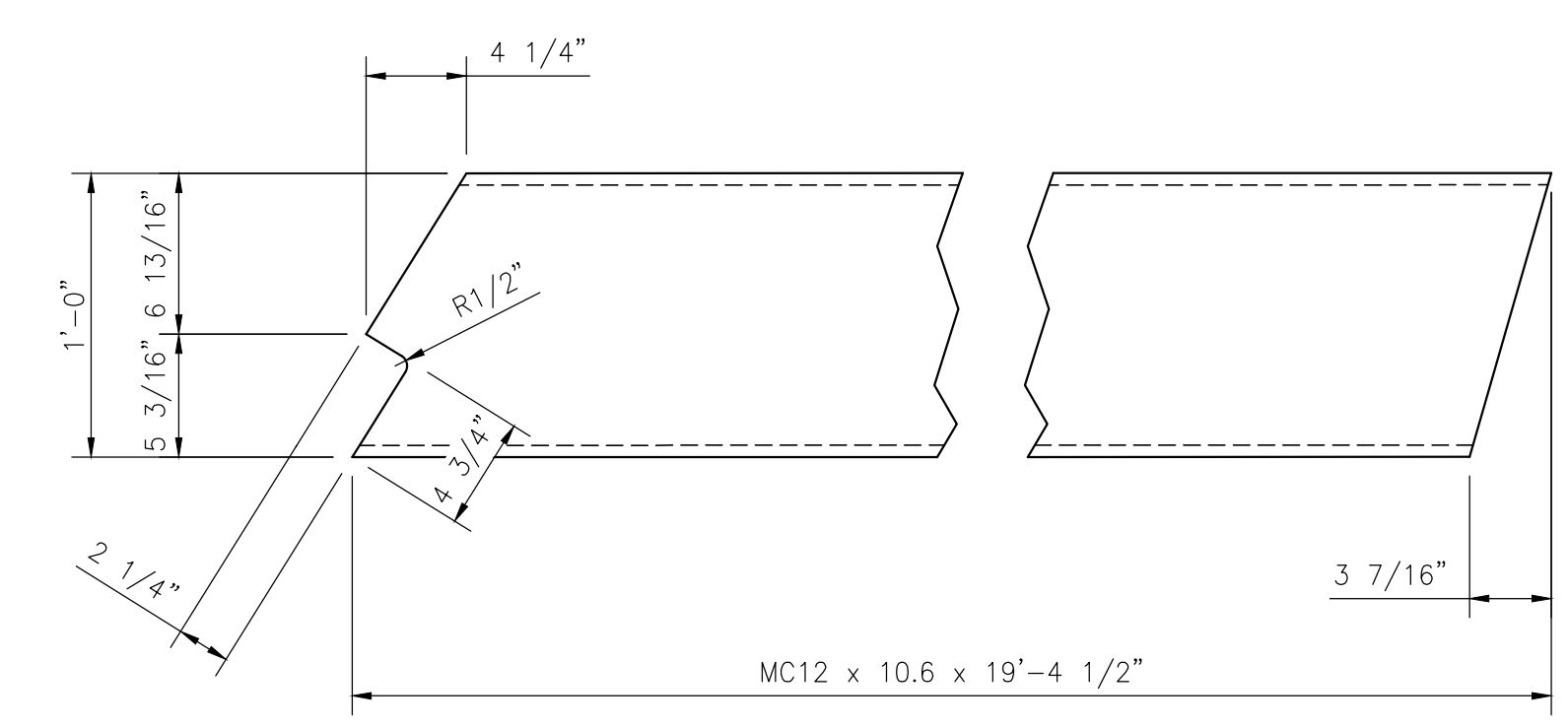
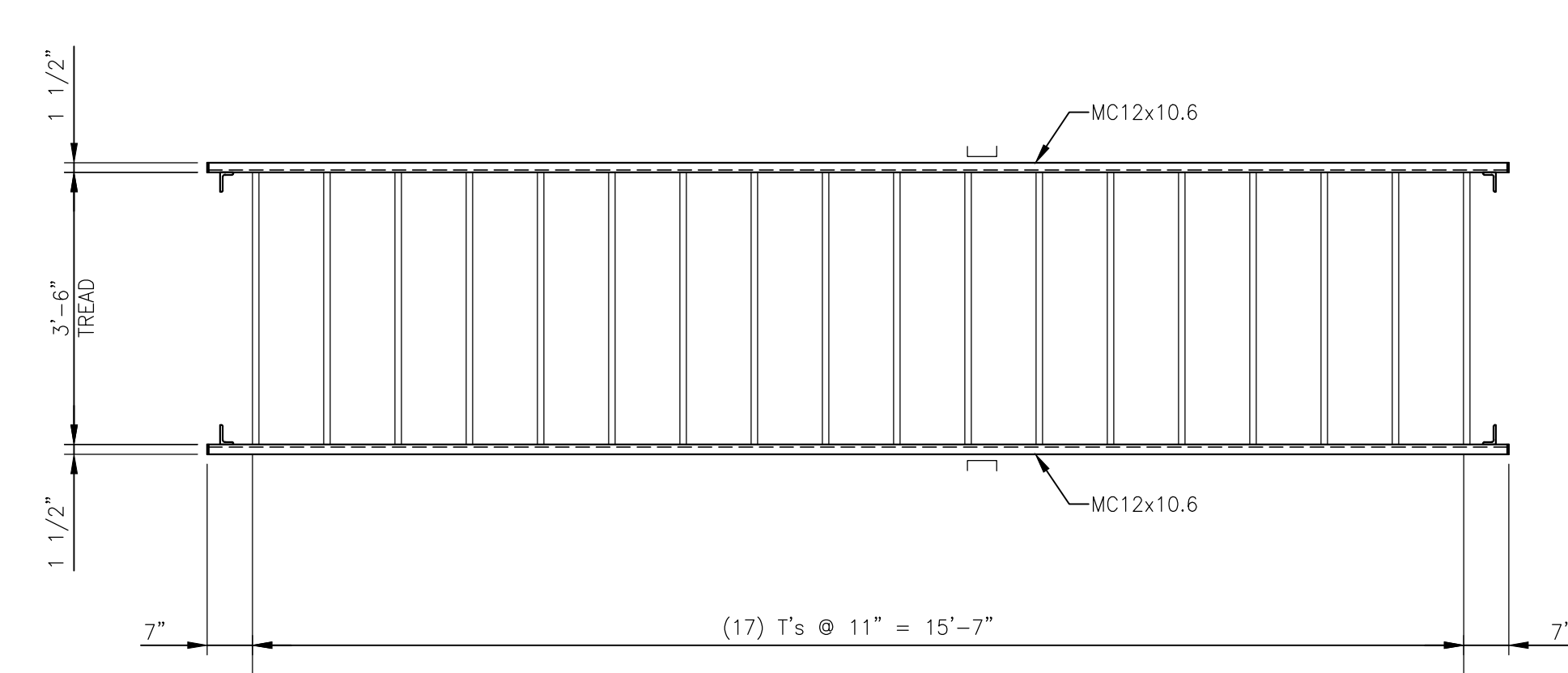
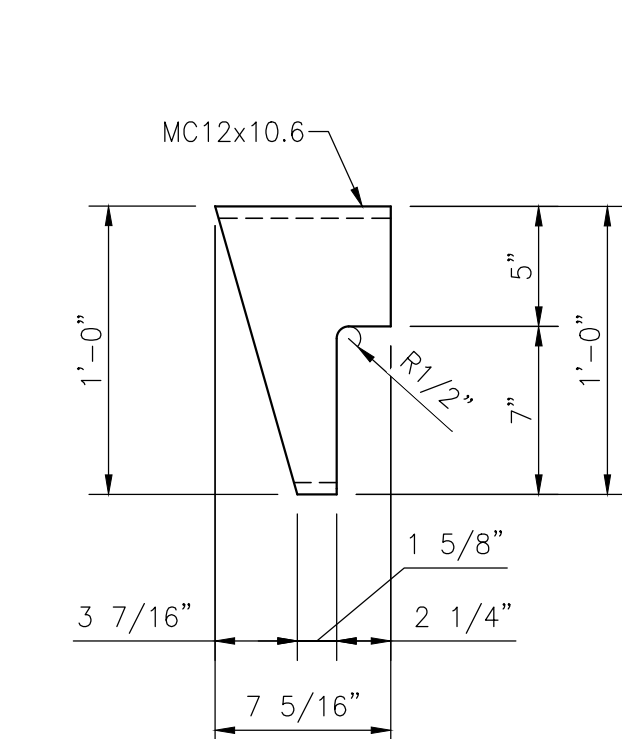


1 2 3 4 5 6 7 8 9 10 11 12 13 14 15 16 17

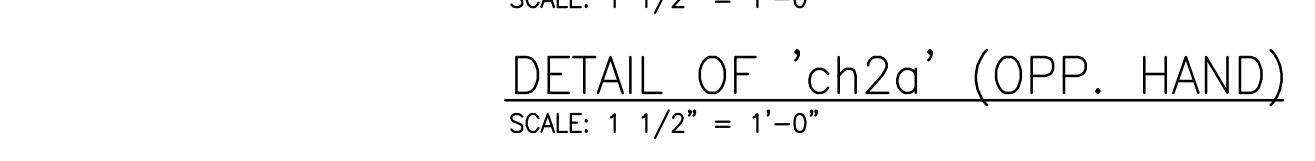
M
K
J
H
G
F
E
D
C
B
A



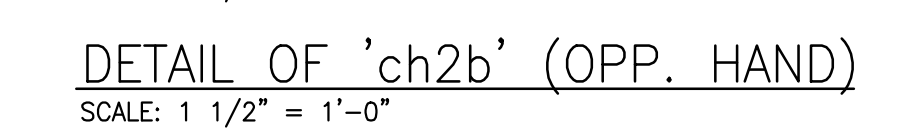
DETAIL OF 'ch1a' (AS SHOWN)
SCALE: 1 1/2" = 1'-0"



DETAIL OF 'ch1b' (AS SHOWN)
SCALE: 1 1/2" = 1'-0"

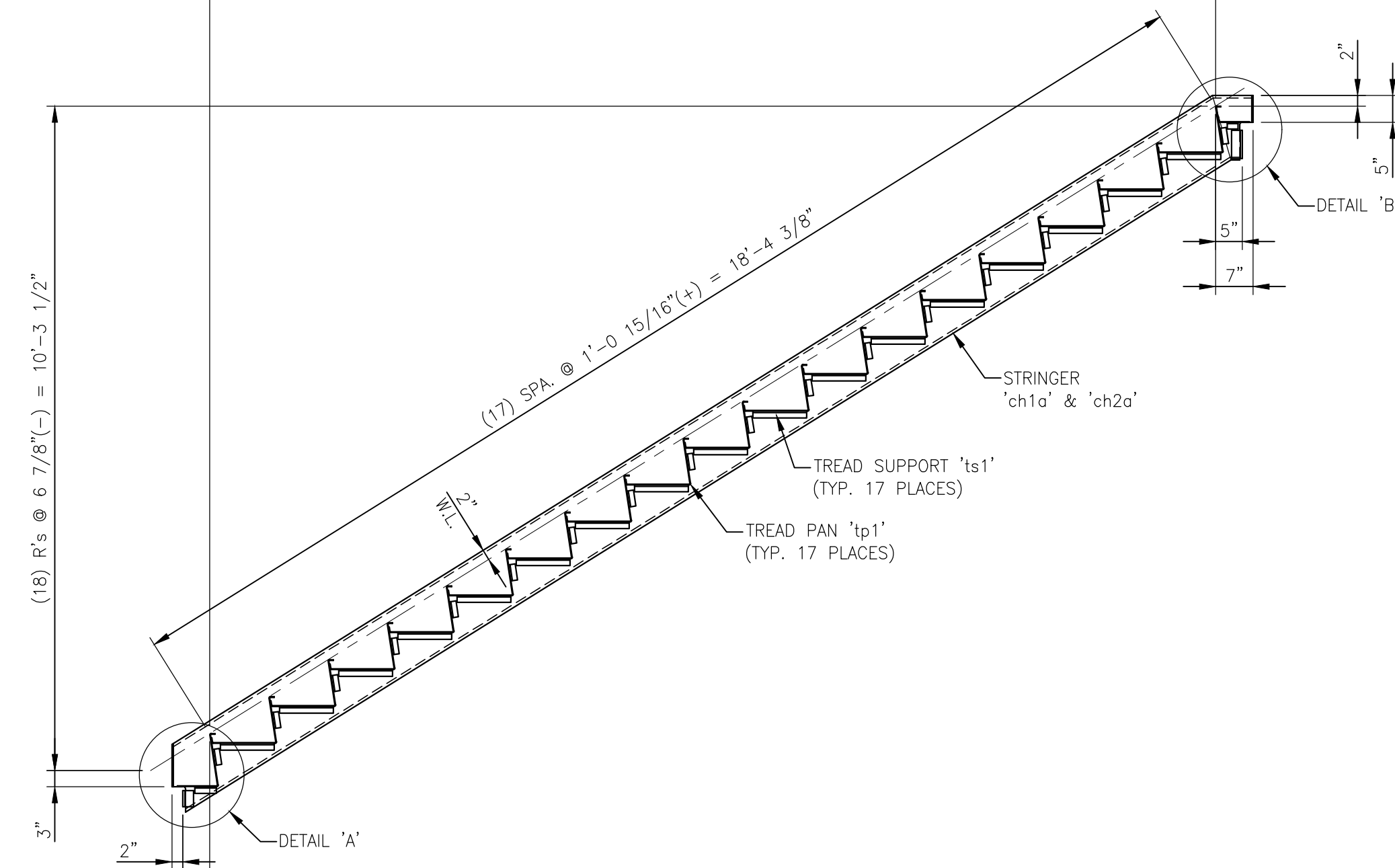


DETAIL OF 'ch2a' (OPP. HAND)
SCALE: 1 1/2" = 1'-0"

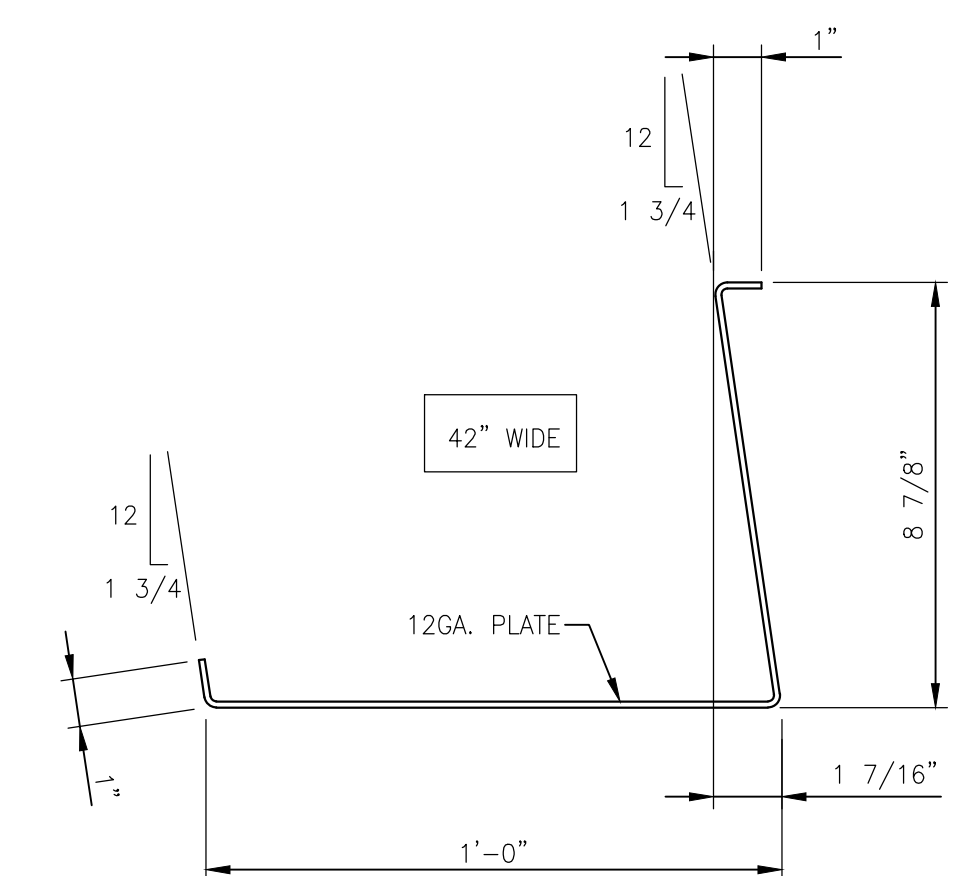


DETAIL OF 'ch2b' (OPP. HAND)
SCALE: 1 1/2" = 1'-0"

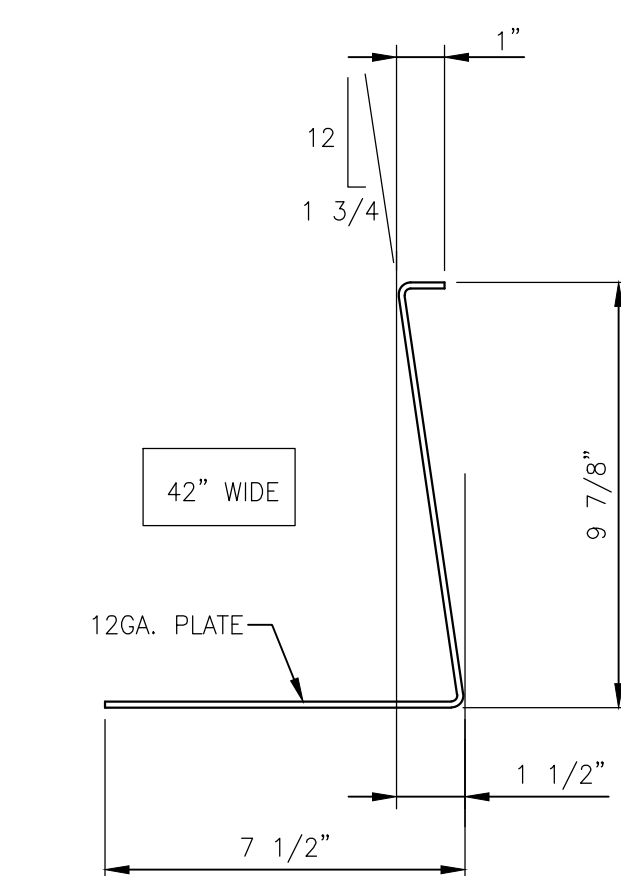
BILL OF MATERIAL				
MATERIAL LISTED FOR ONE UNIT OR ASSEMBLY				
PART NO.	NO. REQ.	DESCRIPTION	MAT'L.	REMARKS
'2SA' - STAIR ASSEMBLY - ONE REQUIRED				
ch1a	ONE	MC12 x 10.6 x 19'-4 1/2"	A36	SEE DETAIL THIS DWG.
ch2a	ONE	MC12 x 10.6 x 19'-4 1/2"	A36	SEE DETAIL THIS DWG.
ch1b	ONE	MC12 x 10.6 x 0'-7 5/16"	A36	SEE DETAIL THIS DWG.
ch2b	ONE	MC12 x 10.6 x 0'-7 5/16"	A36	SEE DETAIL THIS DWG.
a1	2	L3 x 3 x 3/8 x 0'-3"	A36	SEE DETAIL THIS DWG.
a2	2	L3 x 2 x 3/8 x 0'-5" (SHIP LOOSE)	A36	
p1	2	PLATE 1/4" x 1 1/2" x 0'-8 3/8"	A36	
p2	2	PLATE 1/4" x 1 1/2" x 0'-5"	A36	
ts1	34	L1 1/4" X 1 1/4" X 3/16" x 0'-10"	A36	
ts2	36	L1 1/4" X 1 1/4" X 3/16" x 0'-3"	A36	
ts4	2	L1 1/4" X 1 1/4" X 3/16" x 0'-4"	A36	
ts5	2	L1 1/4" X 1 1/4" X 3/16" x 0'-2"	A36	
tp1	17	PLATE 12GA. x 22 1/4" x 3'-6" (BENT)	A36	SEE DETAIL THIS DWG.
tp2	ONE	PLATE 12GA. x 17 7/8" x 3'-6" (BENT)	A36	SEE DETAIL THIS DWG.
tp3	ONE	PLATE 12GA. x 7" x 3'-6" (BENT)	A36	SEE DETAIL THIS DWG.



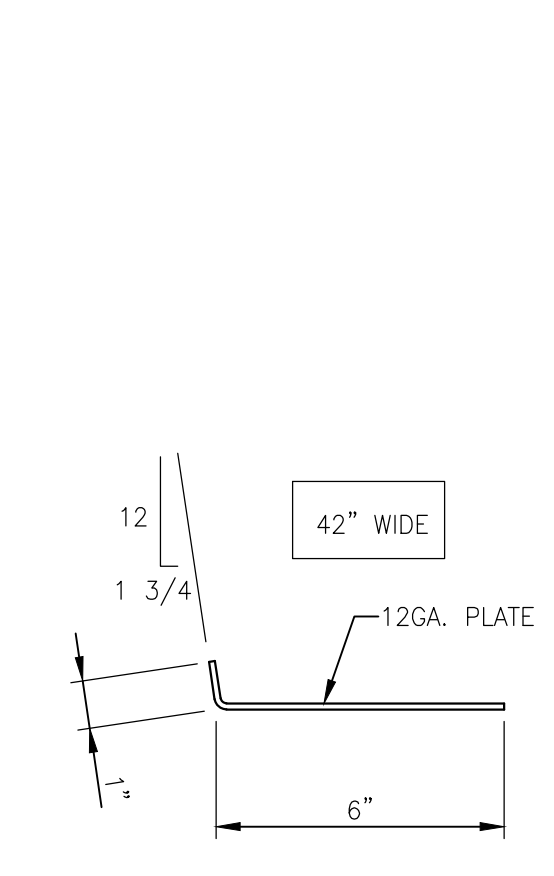
'2SA' - STAIR ASSEMBLY - ONE REQUIRED
SCALE: 1/2" = 1'-0"



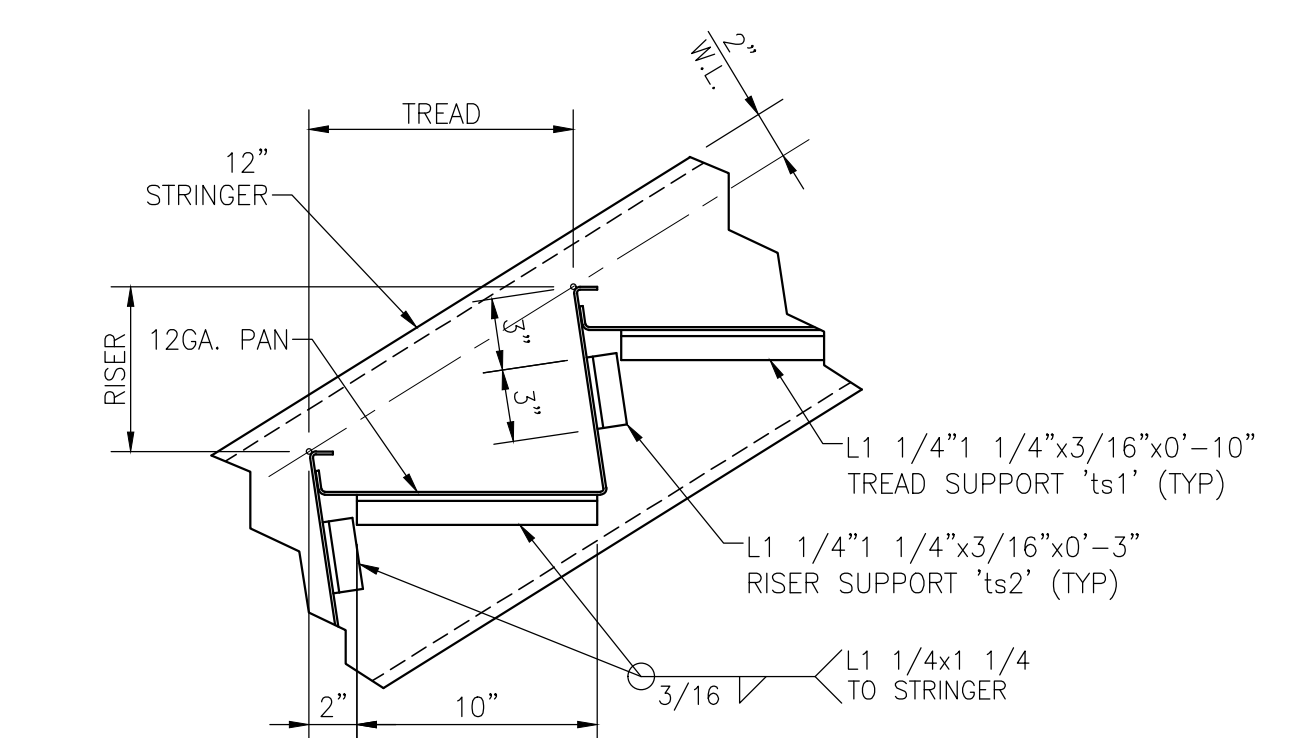
DETAIL OF 'tp1'
SCALE: 1 1/2" = 1'-0"



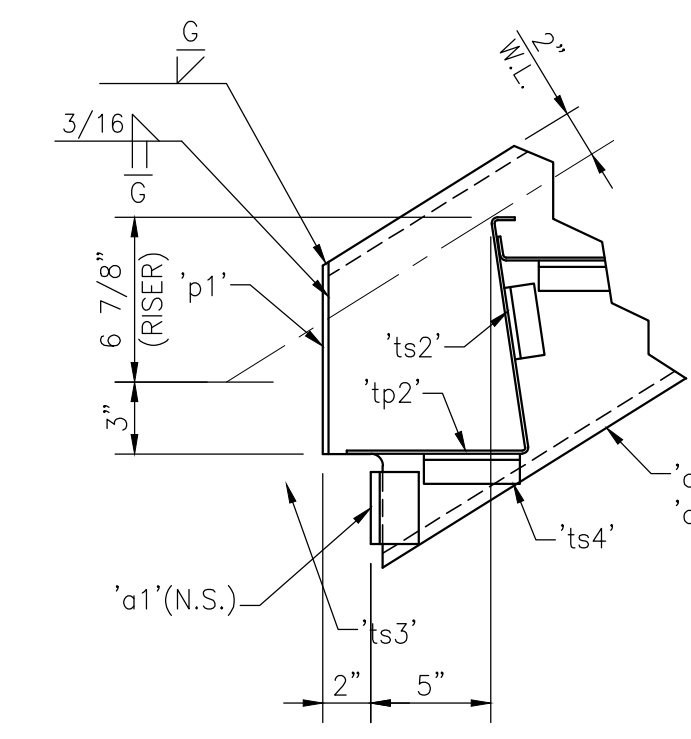
DETAIL OF 'tp2'
SCALE: 1 1/2" = 1'-0"



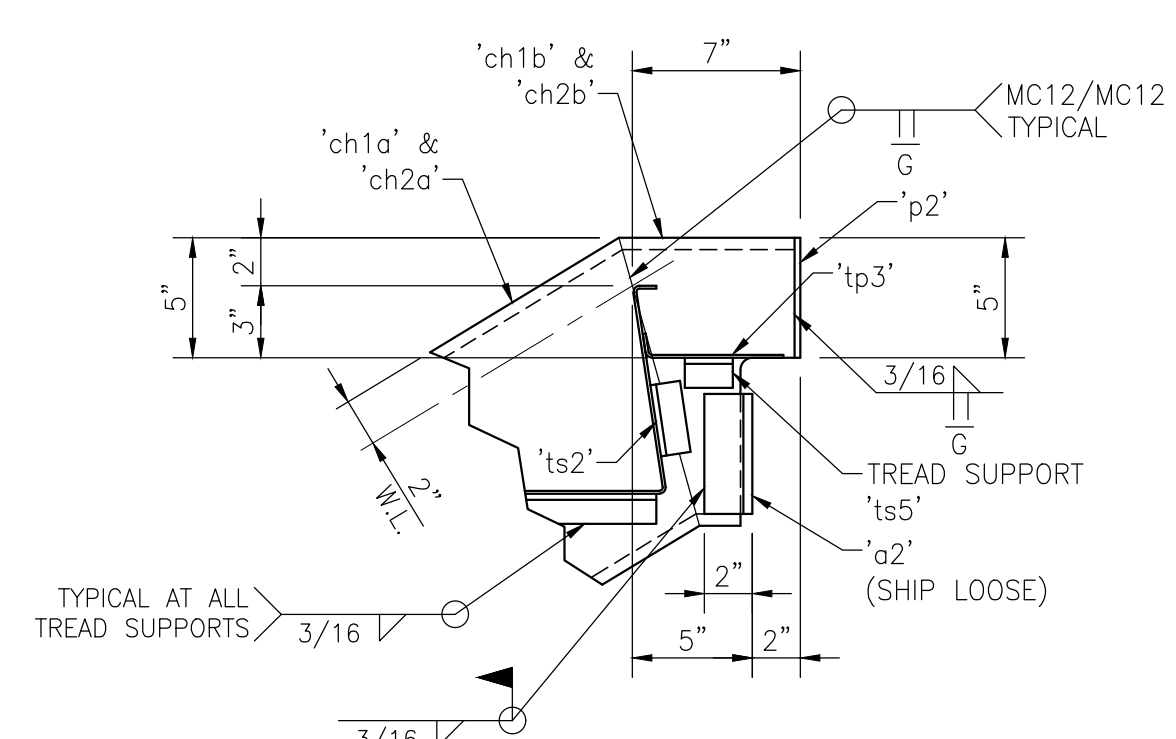
DETAIL OF 'tp3'
SCALE: 1 1/2" = 1'-0"



TYPICAL TREAD SUPPORT ANGLE LOCATION
SCALE: 1 1/2" = 1'-0"



DETAIL 'A'
SCALE: 1 1/2" = 1'-0"



DETAIL 'B'
SCALE: 1 1/2" = 1'-0"

NOTE:
ALL MATERIAL SHOWN ON THIS DRAWING SHALL
RECEIVE ONE COAT OF STANDARD SHOP PRIMER U.N.O.

NO.	DATE	REVISION DESCRIPTION	ISSUED BY	SCALE:	AS NOTED
1	5/4/22	UPDATED TREAD SUPPORTS	TS		
0	5/2/22	ISSUE FOR FABRICATION	TS		

STAIR A
FABRICATION DETAILS

DRAWN BY: TS PROJECT NUMBER: 21-175
 CHECKED BY: JA
 SCALE: AS NOTED

SD-2

1 1 2 1 3 1 4 1 5 1 6 1 7 1 8 1 9 1 10 1 11 1 12 1 13 1 14 1 15 1 16 1 17