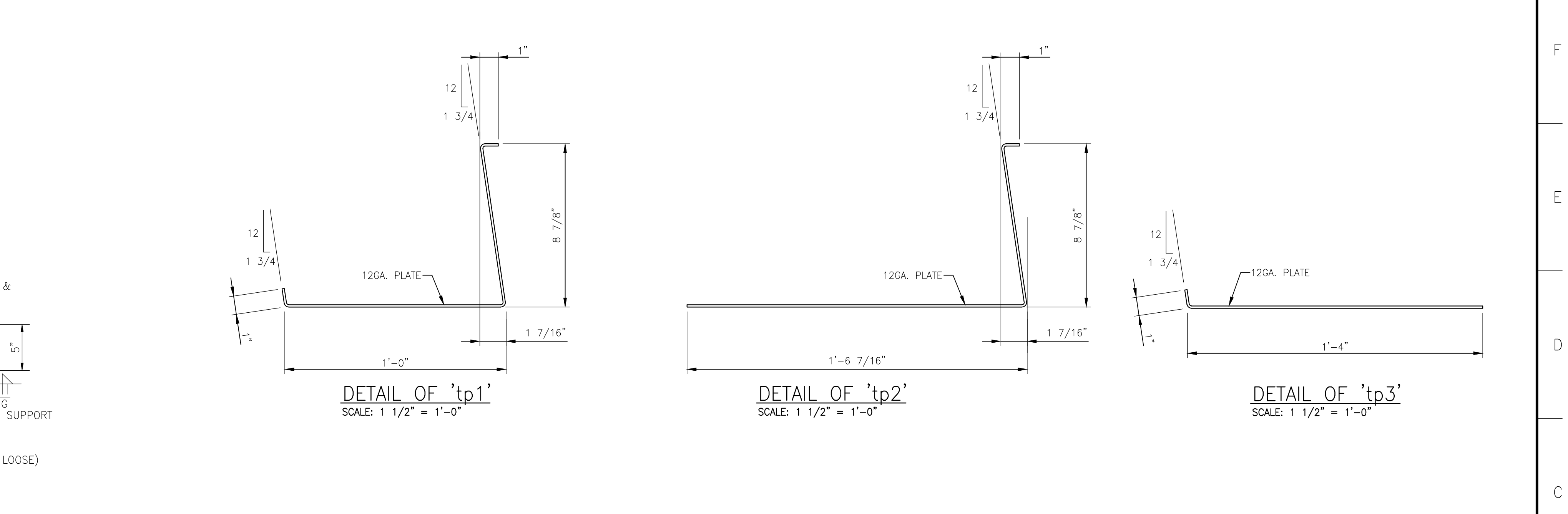
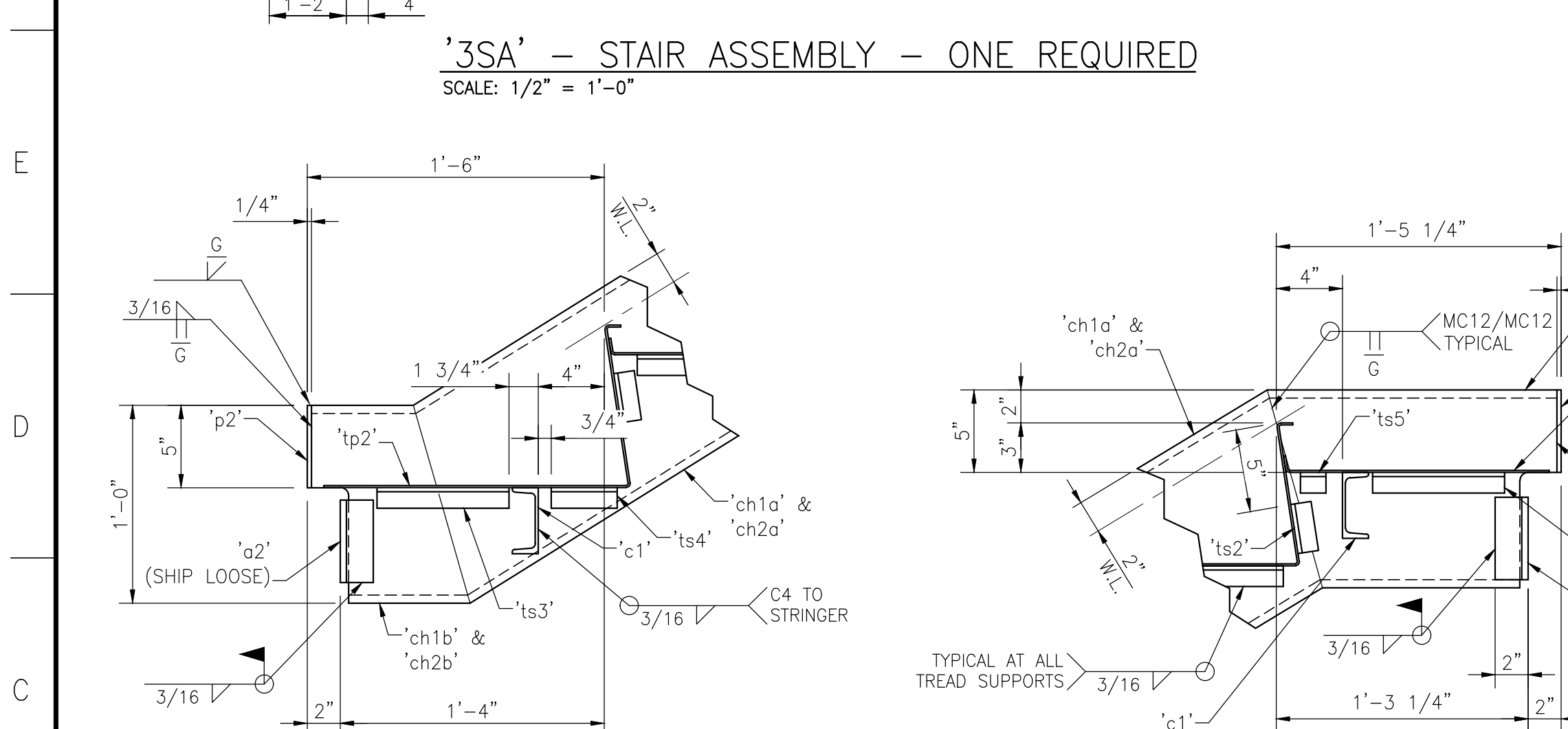
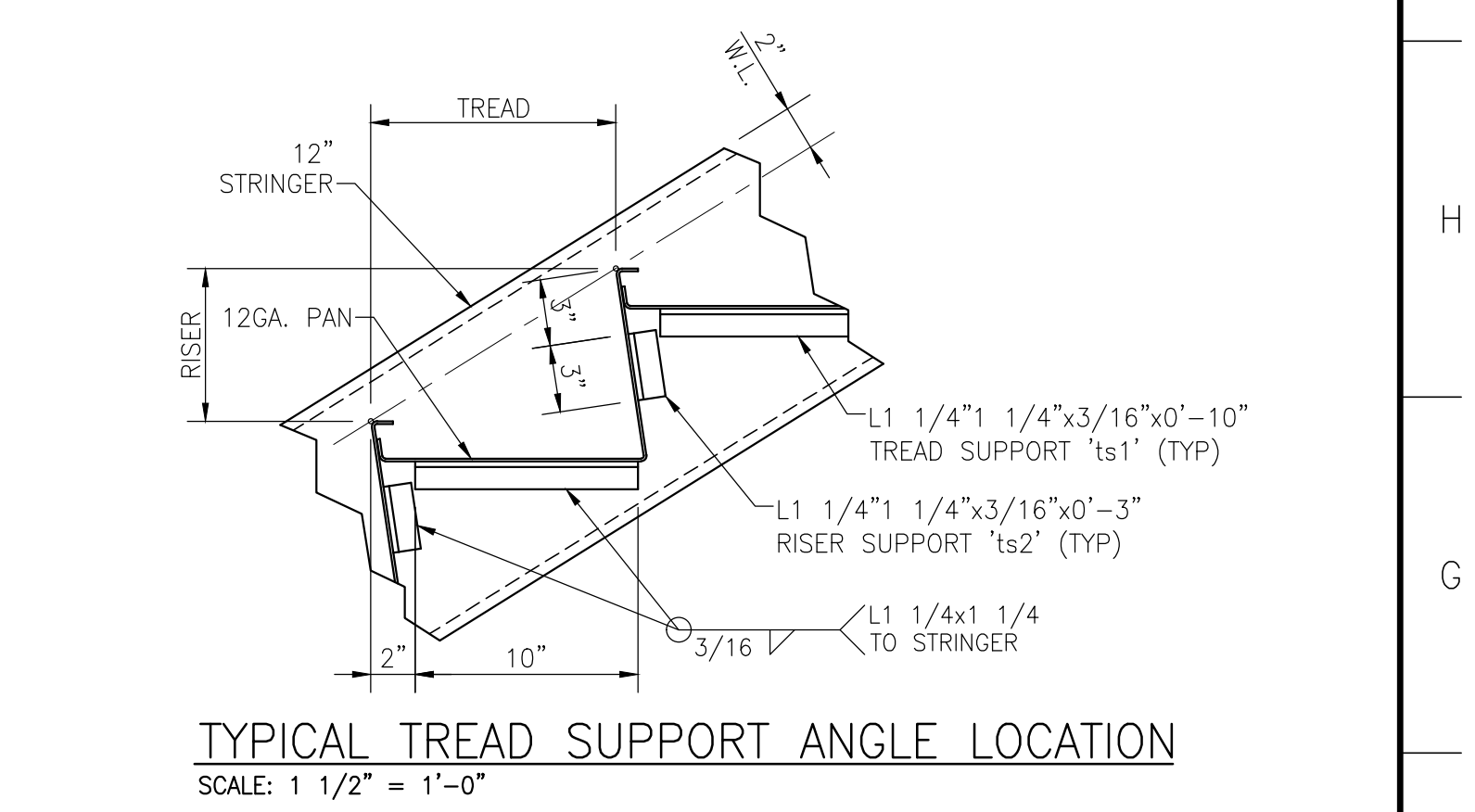
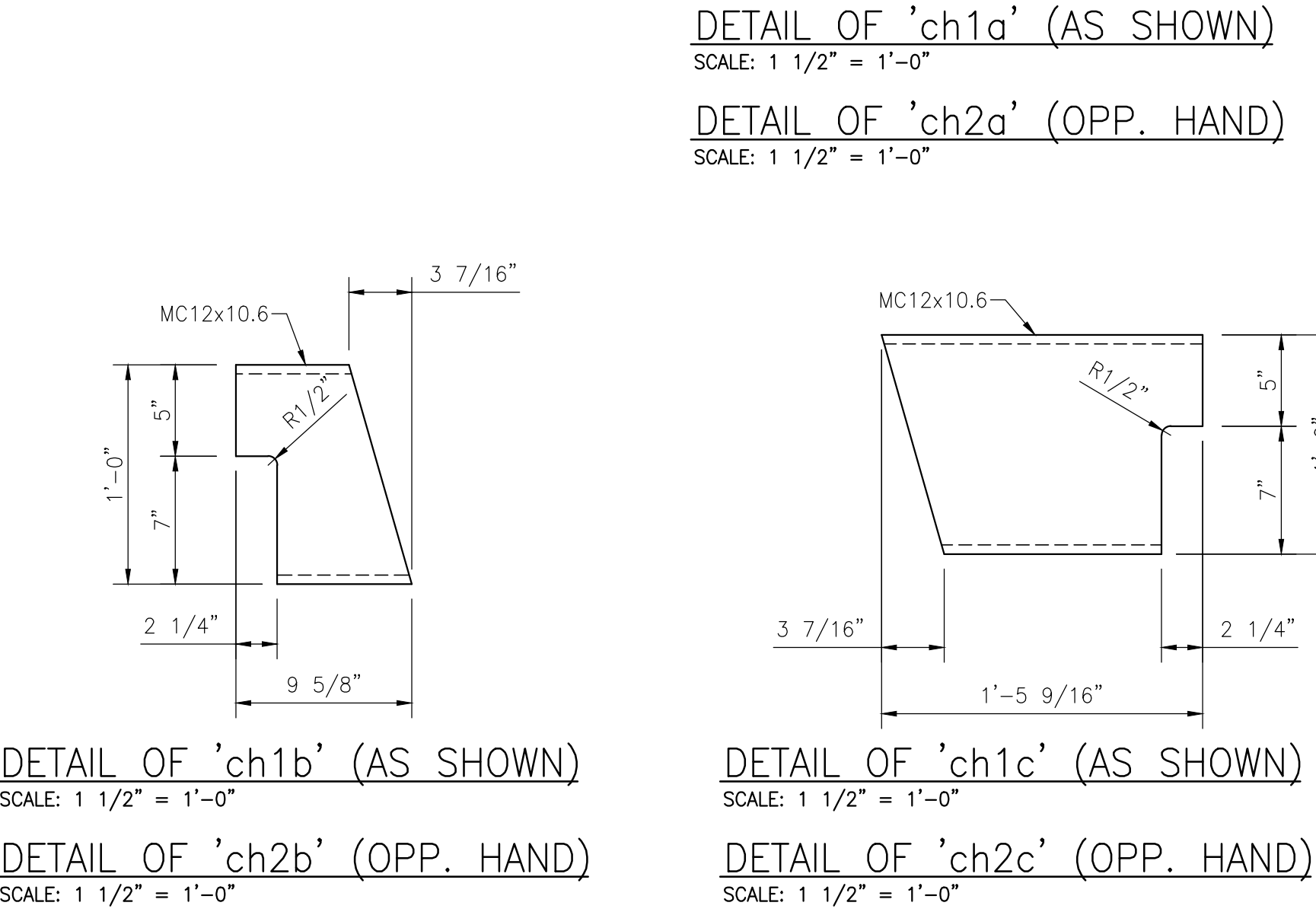
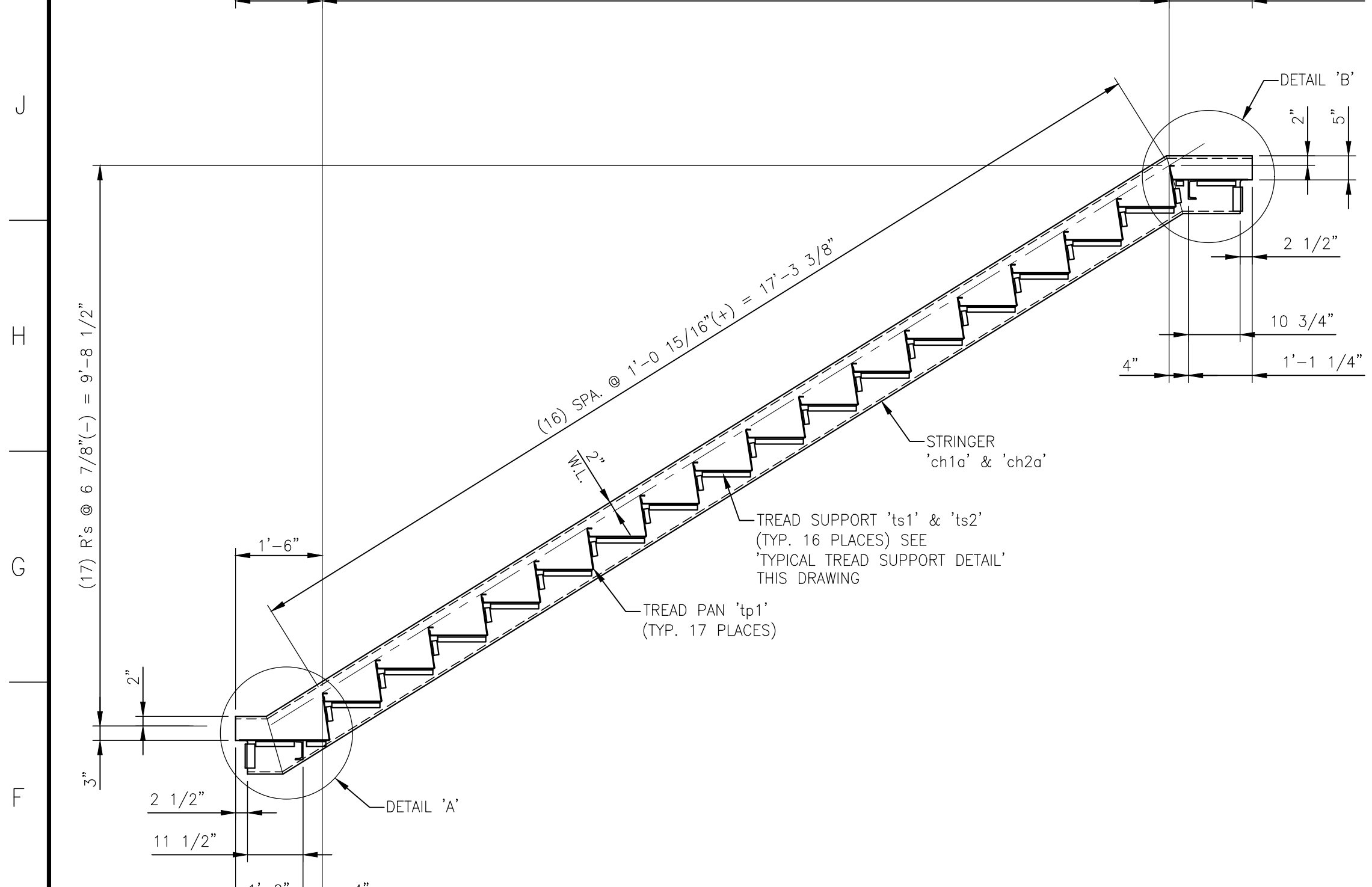


BILL OF MATERIAL				
MATERIAL LISTED FOR ONE UNIT OR ASSEMBLY				
PART NO.	NO. REQ.	DESCRIPTION	MAT'L.	REMARKS
'SSA' - STAIR ASSEMBLY - ONE REQUIRED				
ch1a	ONE	MC12 x 10.6 x 18'-7 3/4"	A36	SEE DETAIL THIS DWG.
ch2a	ONE	MC12 x 10.6 x 18'-7 3/4"	A36	SEE DETAIL THIS DWG.
ch1b	ONE	MC12 x 10.6 x 0'-9 5/8"	A36	SEE DETAIL THIS DWG.
ch2b	ONE	MC12 x 10.6 x 0'-9 5/8"	A36	SEE DETAIL THIS DWG.
ch1c	ONE	MC12 x 10.6 x 1'-5 9/16"	A36	SEE DETAIL THIS DWG.
ch2c	ONE	MC12 x 10.6 x 1'-5 9/16"	A36	SEE DETAIL THIS DWG.
a2	4	L3 x 2 x 3/8 x 0'-5" (SHIP LOOSE)	A36	
p2	4	PLATE 1/4" x 1 1/2" x 0'-5"	A36	
ts1	32	L1 1/4" X 1 1/4" X 3/16" x 0'-10"	A36	
ts2	34	L1 1/4" X 1 1/4" X 3/16" x 0'-3"	A36	
ts3	4	L1 1/4" X 1 1/4" X 3/16" x 0'-8"	A36	
ts4	2	L1 1/4" X 1 1/4" X 3/16" x 0'-4"	A36	
ts5	2	L1 1/4" X 1 1/4" X 3/16" x 0'-2"	A36	
tp1	16	PLATE 12GA. x 22 1/4" x 3'-6" (BENT)	A36	SEE DETAIL THIS DWG.
tp2	ONE	PLATE 12GA. x 27 7/8" x 3'-6" (BENT)	A36	SEE DETAIL THIS DWG.
tp3	ONE	PLATE 12GA. x 17" x 3'-6" (BENT)	A36	SEE DETAIL THIS DWG.
c1	2	C4 x 5.4 x 3'-6"	A36	



NOTE:  
 ALL MATERIAL SHOWN ON THIS DRAWING SHALL RECEIVE ONE COAT OF STANDARD SHOP PRIMER U.N.O.

NO.	DATE	REVISION DESCRIPTION	ISSUED BY
1	5/4/22	UPDATED TREAD SUPPORTS	TS
0	5/2/22	ISSUE FOR FABRICATION	TS

STAIR A  
 FABRICATION DETAILS

DRAWN BY: TS	PROJECT NUMBER
CHECKED BY: JA	21-175
SCALE: AS NOTED	SD-3